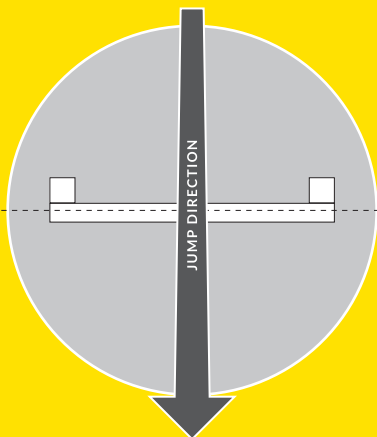
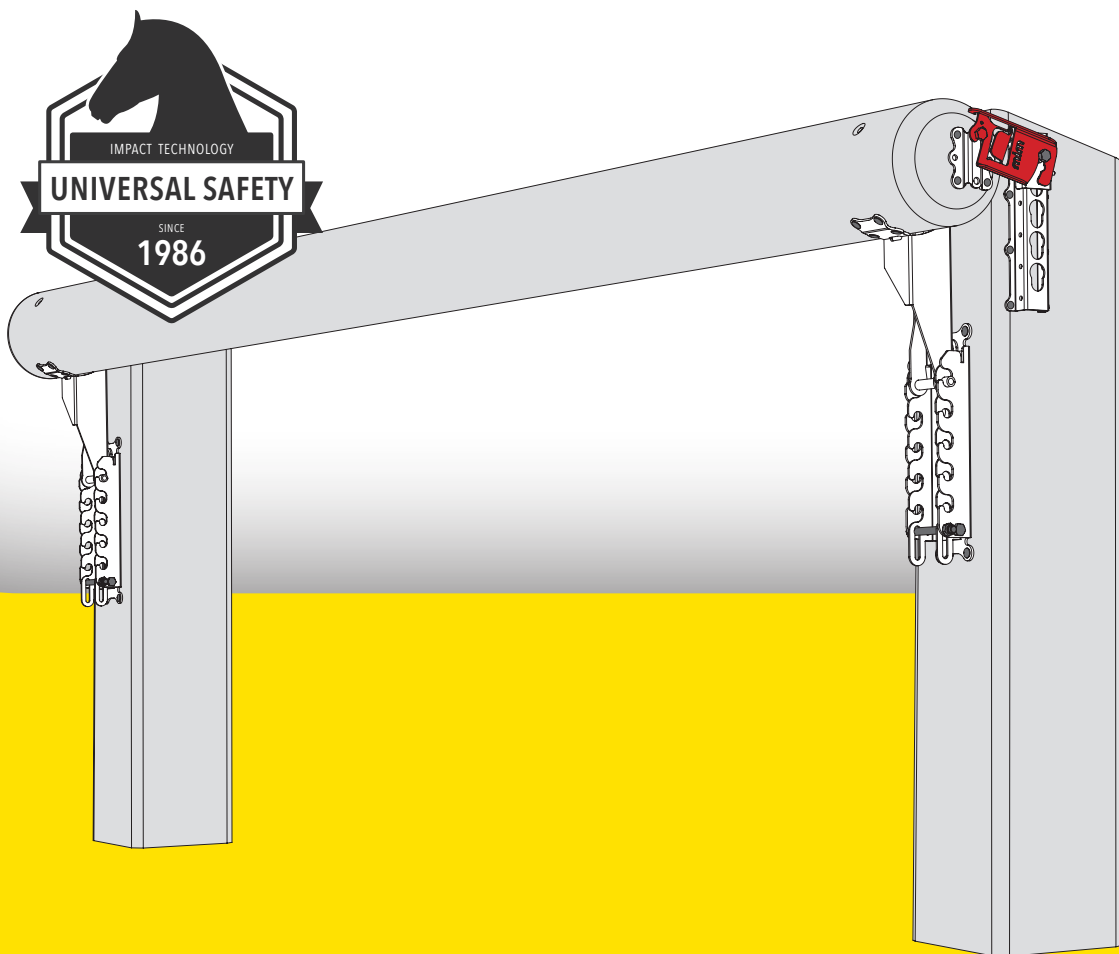


mimSAFE

newera.mimsafe.com



ASSEMBLY INSTRUCTIONS
**POST & RAIL
ADJUSTABLE KIT**

NEWERA USIT SYSTEM



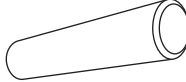


APPROVED

INFORMATION ABOUT THE POST & RAIL ADJUSTABLE KIT

The Post & Rail Adjustable Kit has been designed and developed specifically to greatly reduce the risk of rotational falls. The most important element of this kit is that it will not break the fence or

risk injury to the horse if hit vertically. The rail is only released when impacted horizontally by the horse. The risk of a resulting rotational fall is thus reduced.

RECOMMENDED FENCE DIMENSIONS	
POST	
	
MIN-MAX SIZE	
6 - 10	inch
150 - 250	mm
	
MIN-MAX SIZE	
6 - 10	inch
150 - 250	mm
RAIL	
	
MIN-MAX DIAMETER	
8 - 12	inch
200 - 300	mm
MAXIMUM LENGTH	
16.4	ft
500	cm
MAXIMUM WEIGHT	
440.92	lb
200	kg



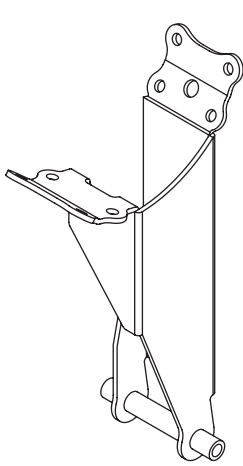
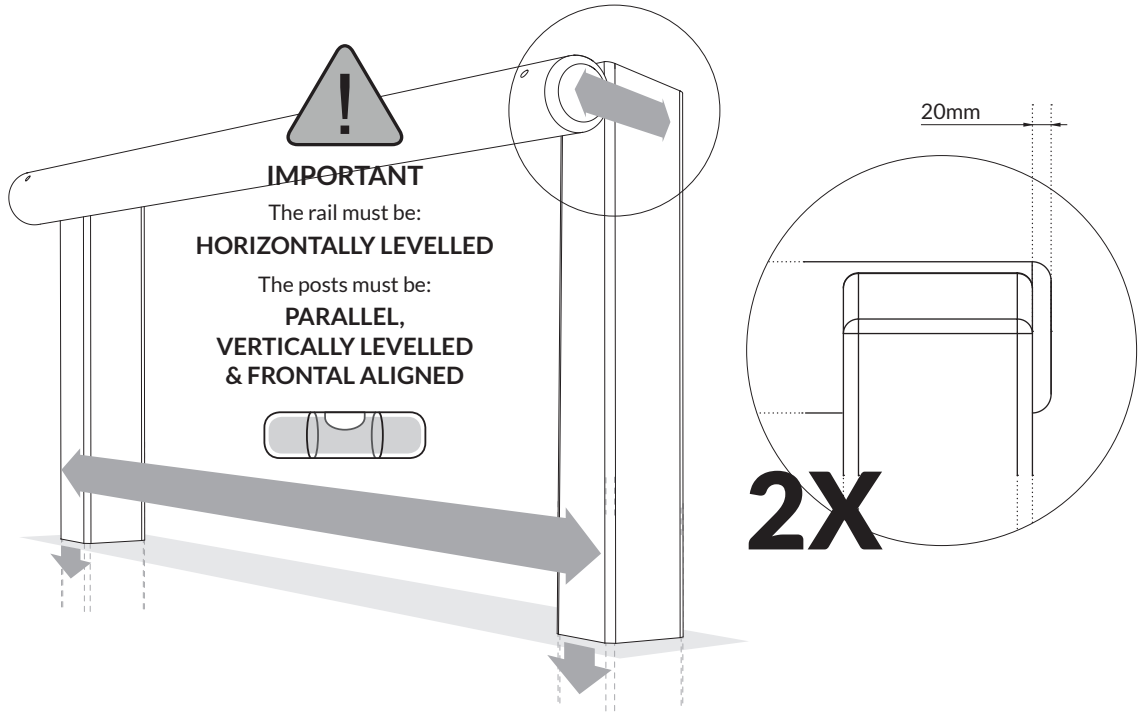
It is essential to follow the recommended dimensions on the fence for the correct function. If the recommended procedure is not correctly followed it may cause the failure of the device.

For your own safety and that of others please note the following step by step advice for correct preparation and installation. It is important that you follow your own health and safety requirements when constructing this kit.

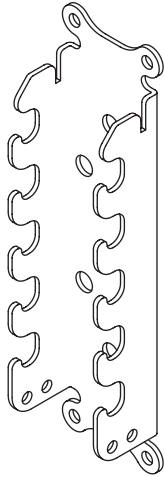
Ensure that you have all parts of the Post & Rail Adjustable Kit.

Be aware of the risk of injury when handling heavy rails, poles and the tools for mounting.

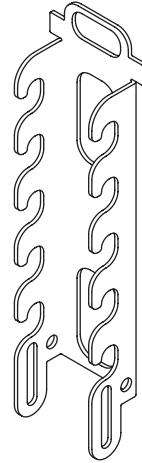
WARNING!



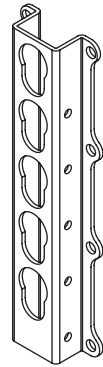
A FS65B
Part no 2x



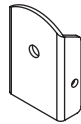
B F65E
Part no 2x



C F65F
Part no 2x



D F65H
Part no 2x












E F65G
Part no 2x



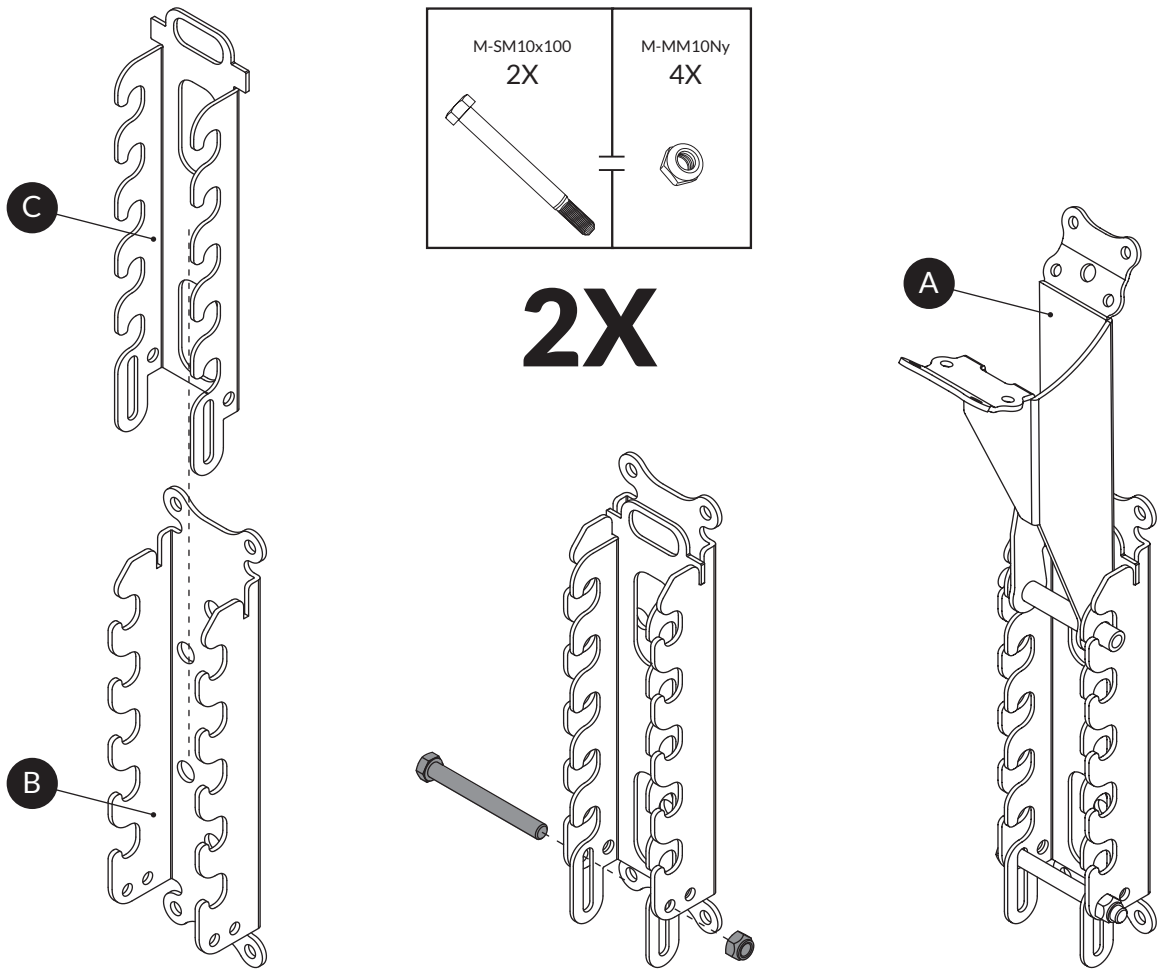
F F70A
Part no 2x



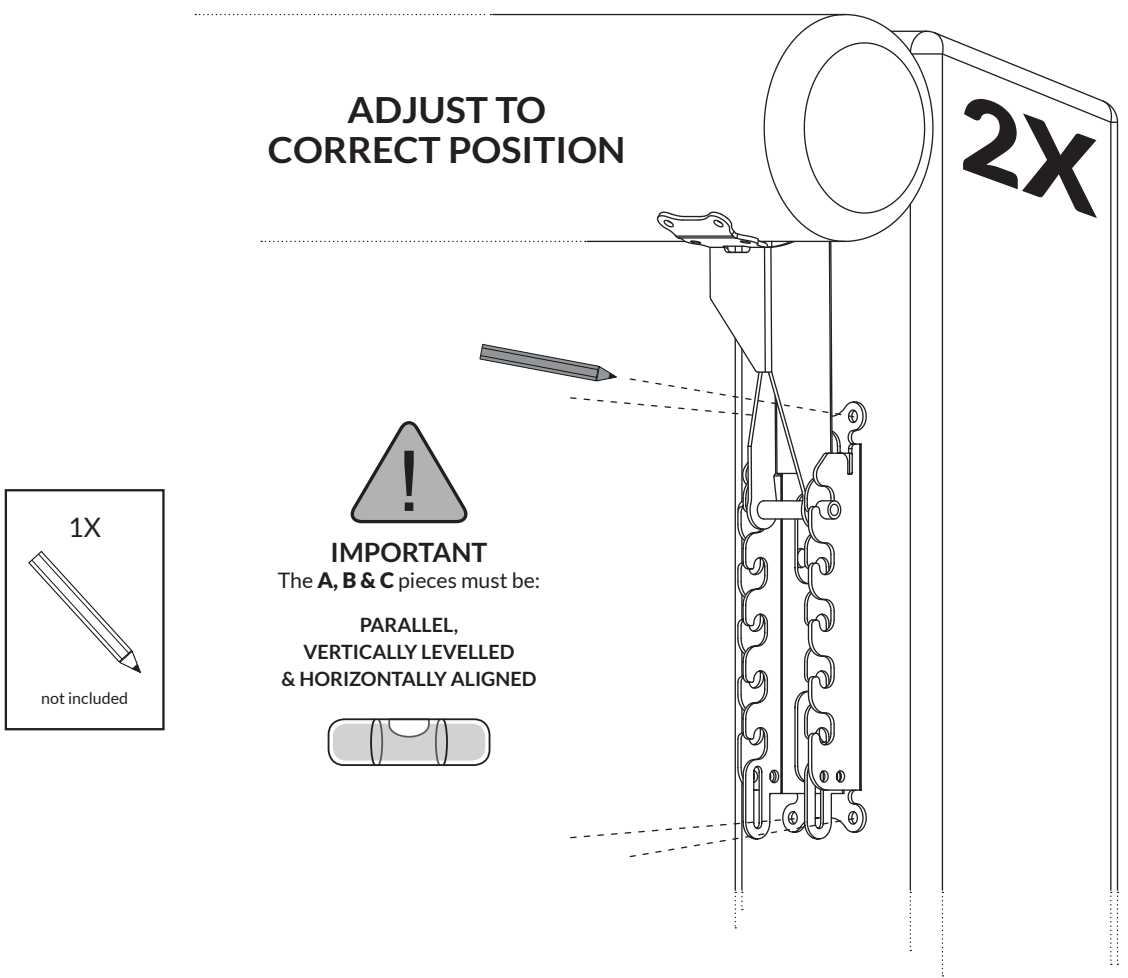
G F18C
Part no 6x

M-SM6x70 2X 	M-MM6Ny 2X 	M-SM10x30 2X 	M-MM10Ny 2X 	M-BR11x22x2s 4X 	M-BR11x28x2s 2X 	M-SM10x100 2X 	M-MM10Ny 4X 	M-TS10X90 2X 
-------------------------------------------------------------------------------------------------------	------------------------------------------------------------------------------------------------------	--------------------------------------------------------------------------------------------------------	-------------------------------------------------------------------------------------------------------	-----------------------------------------------------------------------------------------------------------	-----------------------------------------------------------------------------------------------------------	----------------------------------------------------------------------------------------------------------	---------------------------------------------------------------------------------------------------------	----------------------------------------------------------------------------------------------------------

STEP
1

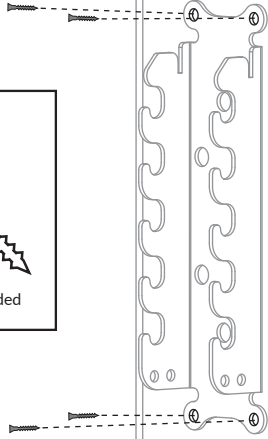
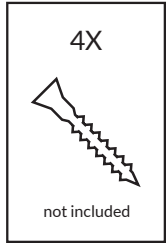


STEP
2



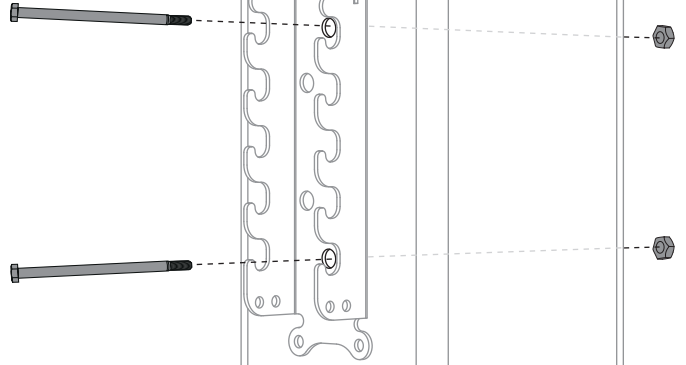
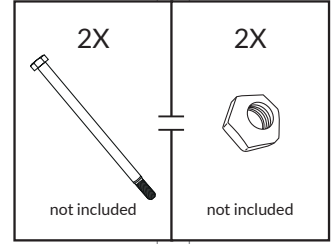
STEP
3

2X



STEP
3*

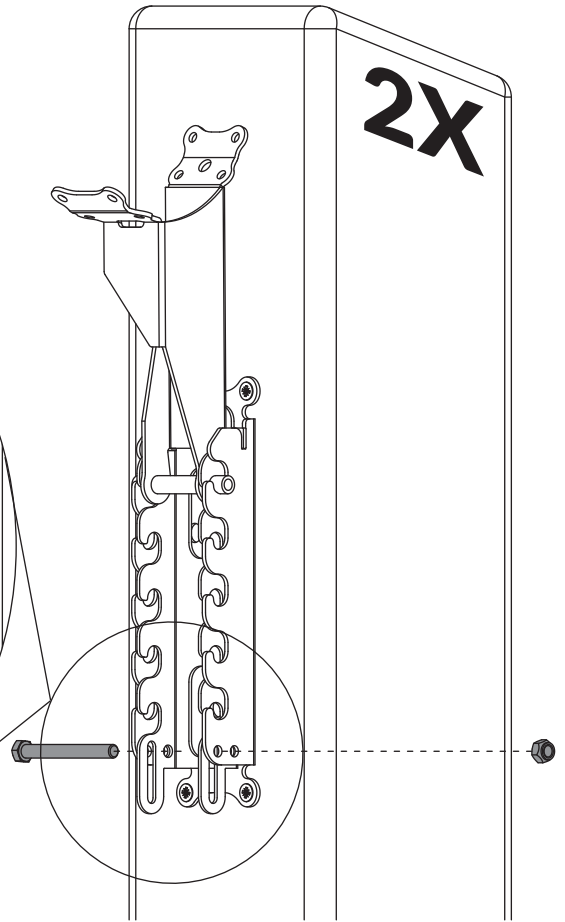
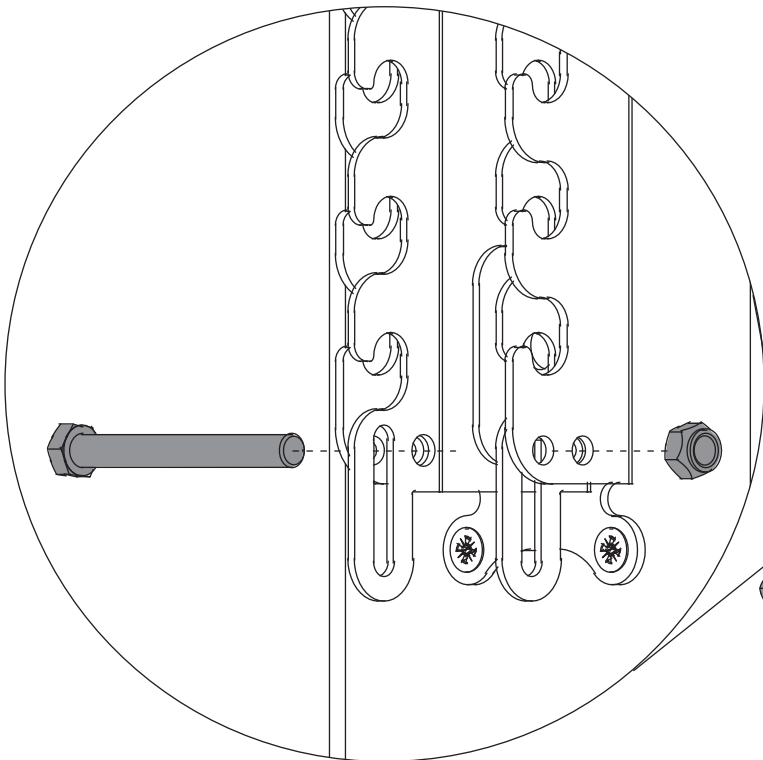
*alternative



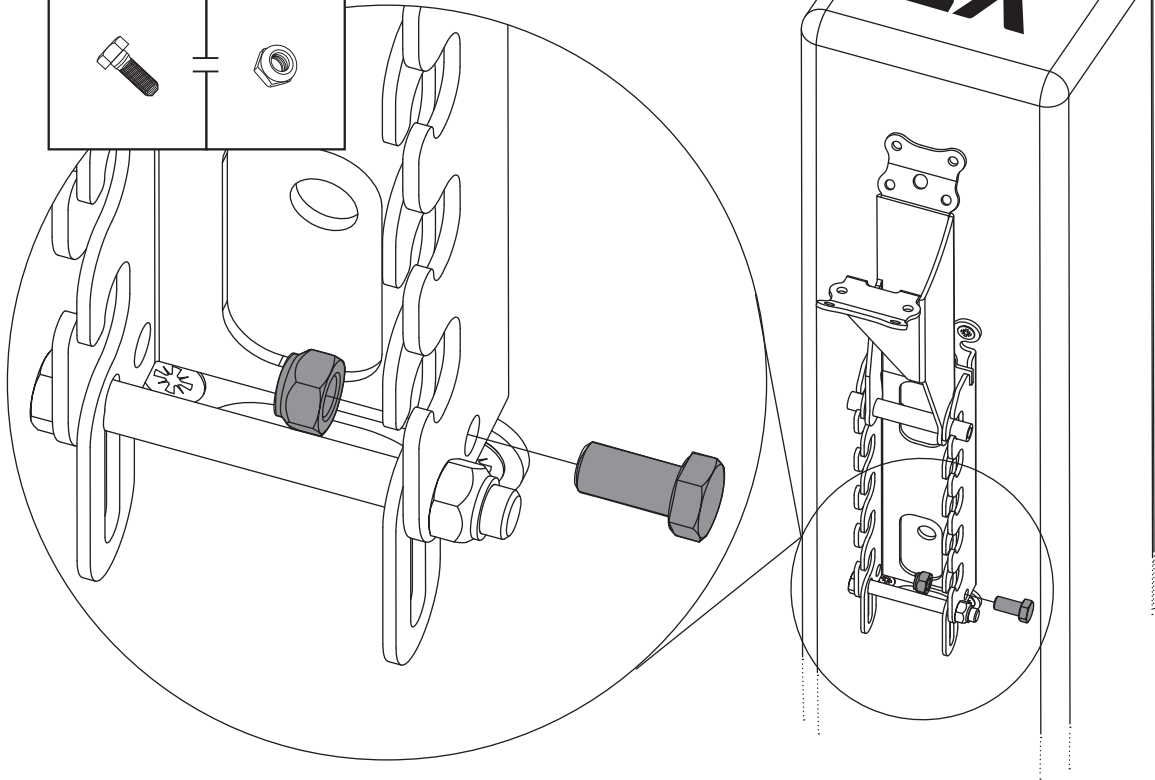
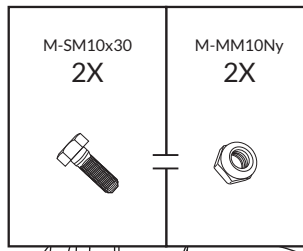
2X

STEP
4

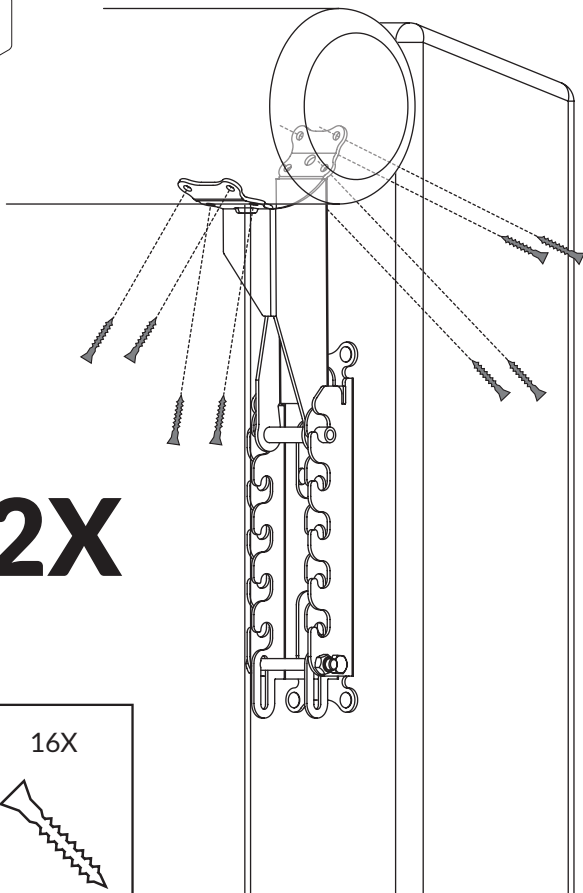
2X



STEP
5

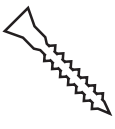


STEP
6



2X

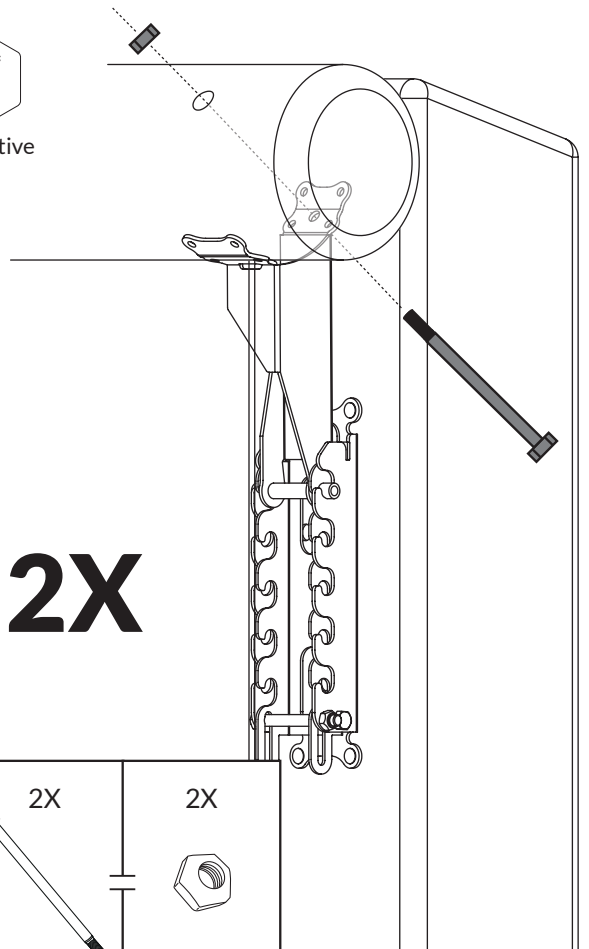
16X



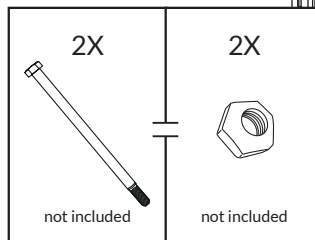
not included

STEP
6*

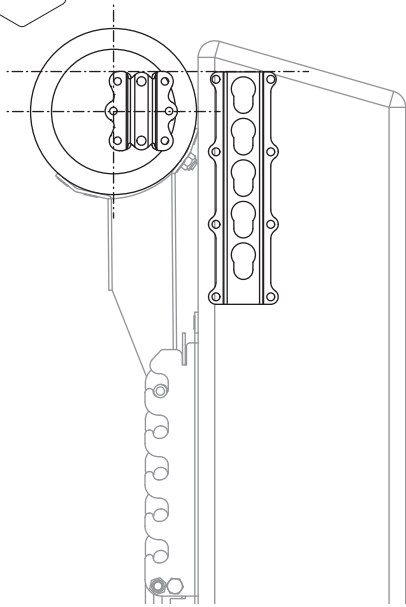
*alternative



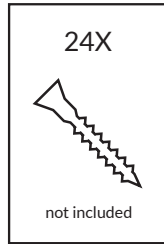
2X



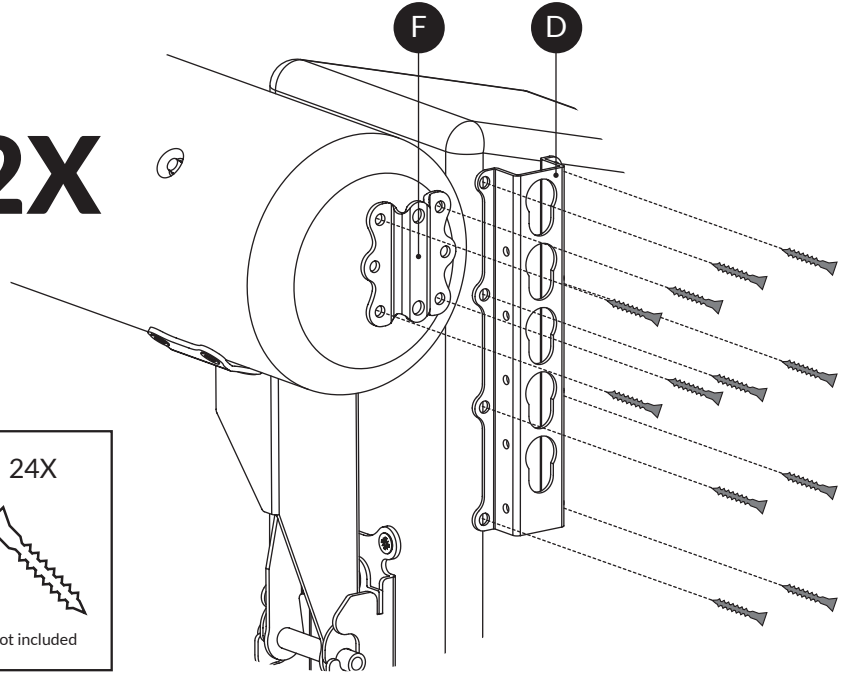
STEP
7



2X

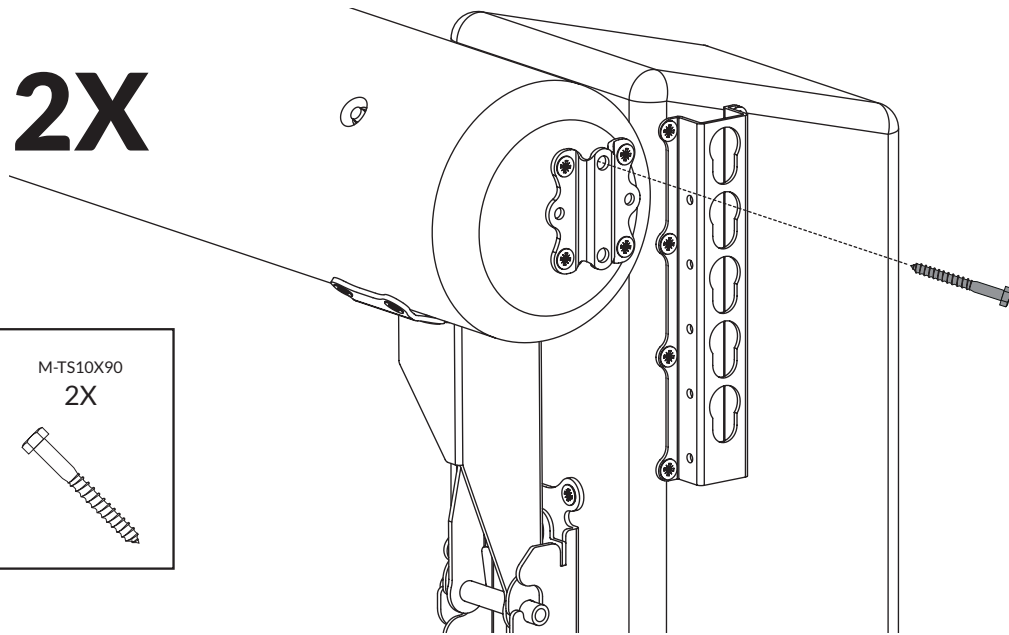
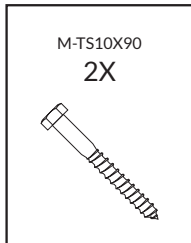


F **D**

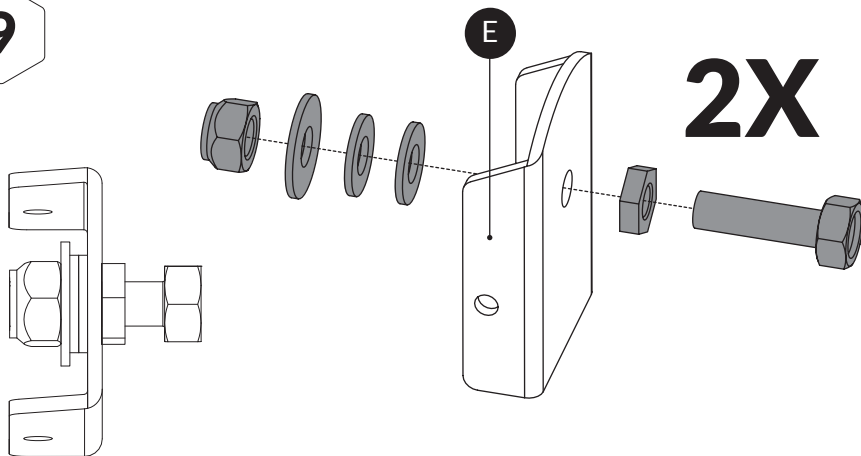


STEP
8






2X



STEP
9

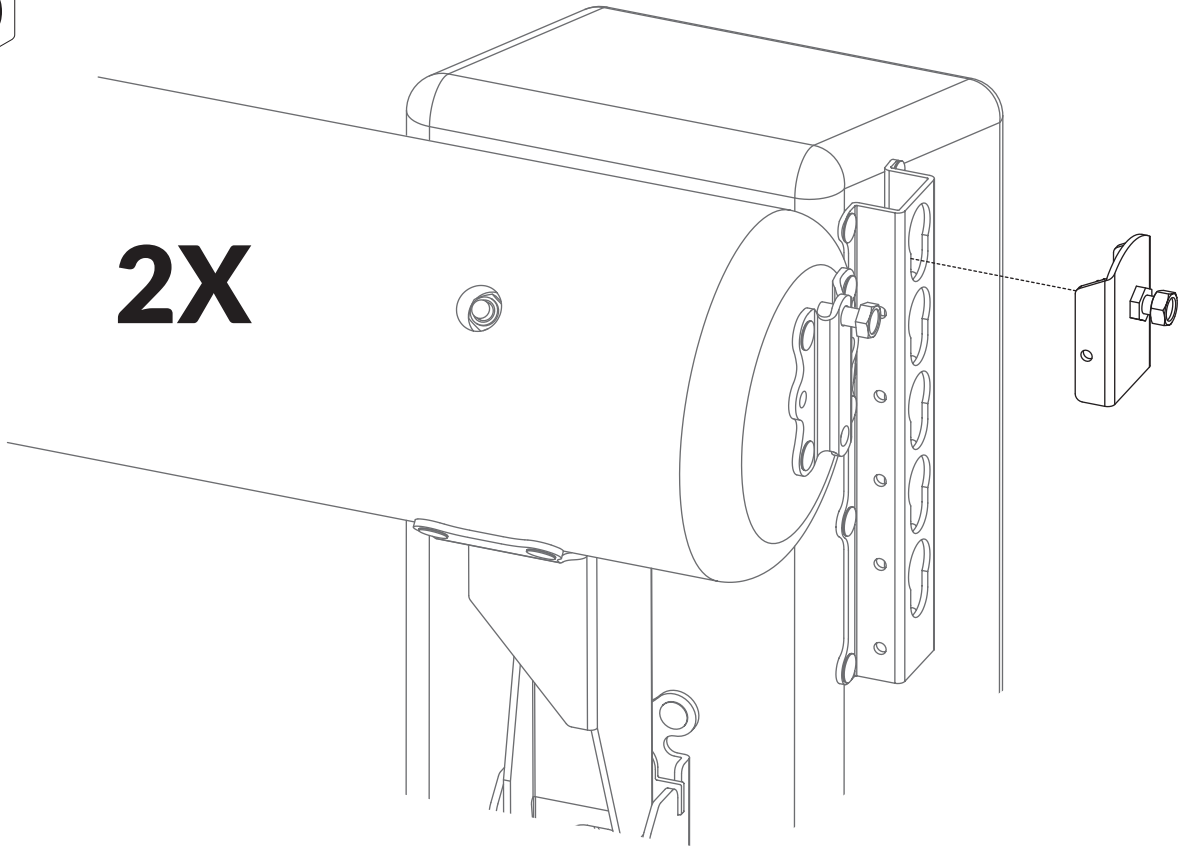


2X

M-SM10x30 2X 	M-BR11x28x2s 2X 	
M-MM10Ny 2X 	M-BR11x22x2s 4X 	M-MM10Ny 2X 



STEP
10

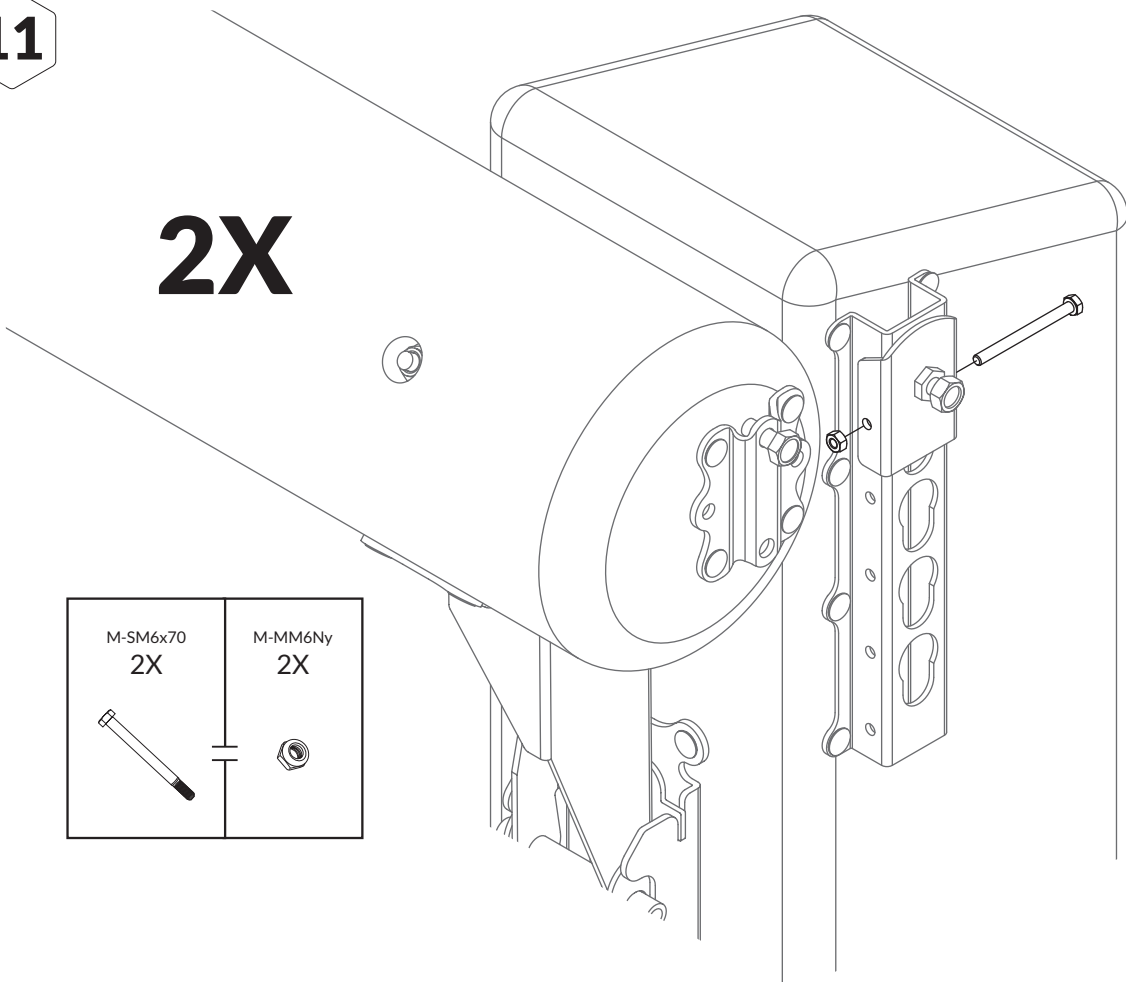
2X



STEP
11

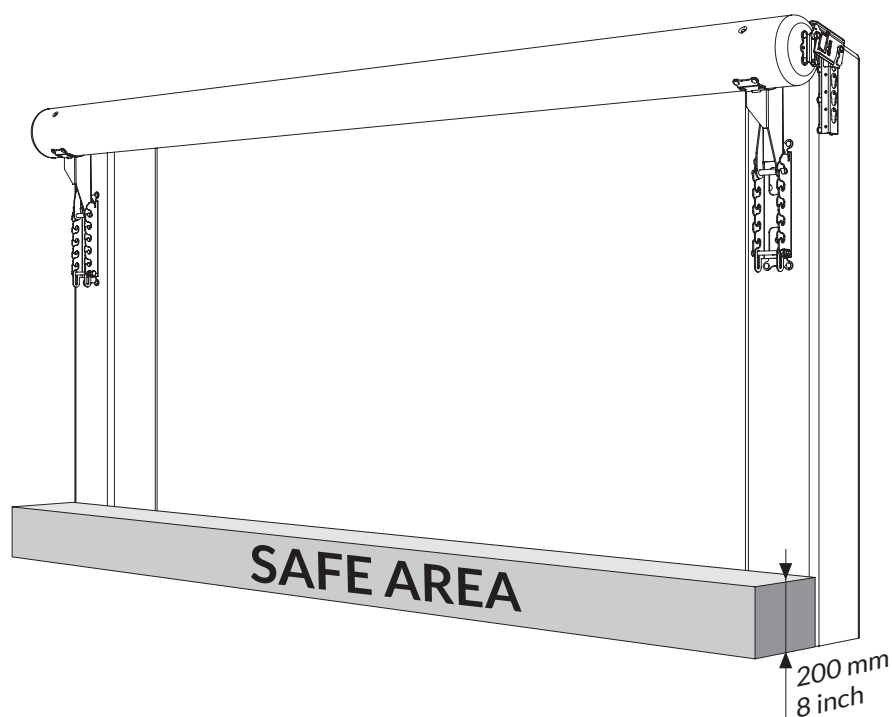
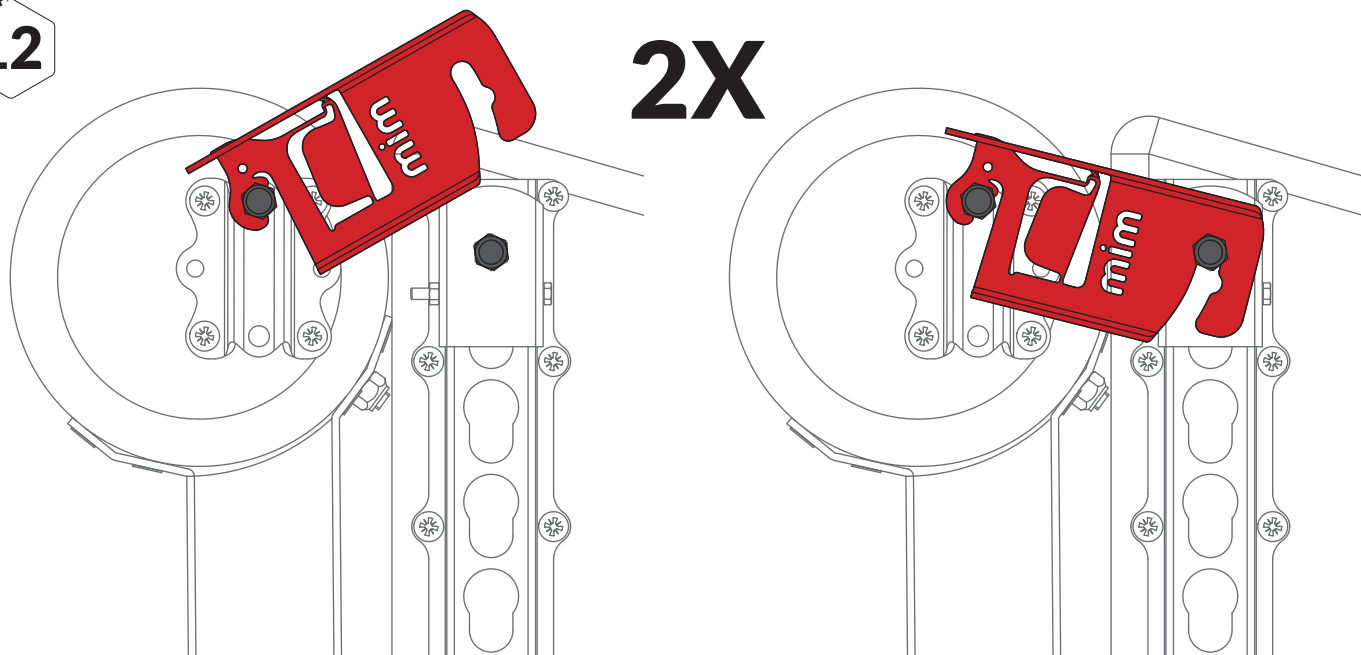
2X

M-SM6x70 2X	M-MM6Ny 2X
	



STEP
12

2X



The advantages of the Post & Rail Adjustable Kit

1. It has been produced with safety being the first and foremost important factor.
2. Reduces the possibility of rotational falls.
3. FEI approved number FEI01SWE.
4. Controlled movement of fence during release.
5. Reconstruction time is less than 30 seconds.
6. The parts are made of powder coated steel and can be left outside, no maintenance is required.
7. The very highest quality of product from Sweden.

The Mim clip (F18C) breaks on impact, which clearly indicates when replacement is needed. The rail is connected to the post with an hinge that makes the fence easy to reconstruct. This saves time, guarantees fair and correct judging for riders and contributes to the overall safety of the sport.