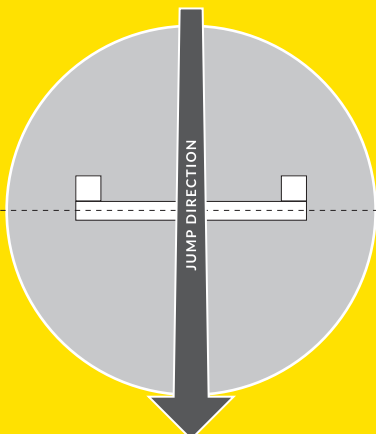
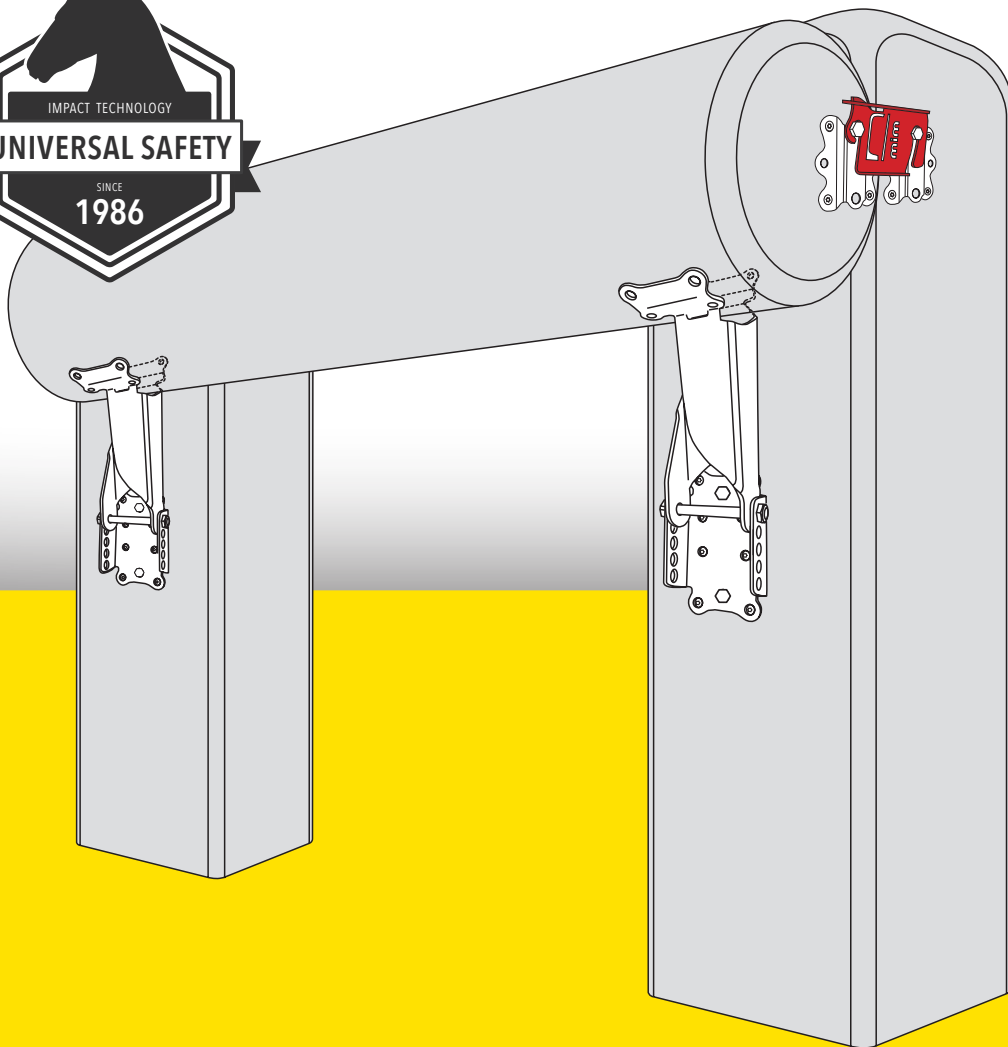


# mimSAFE

[newera.mimsafe.com](http://newera.mimsafe.com)



## ASSEMBLY INSTRUCTIONS POST & RAIL KIT

NEWERA USIT SYSTEM


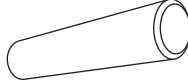



APPROVED

# INFORMATION ABOUT THE POST & RAIL KIT

The Post & Rail Kit has been designed and developed specifically to greatly reduce the risk of rotational falls. The most important element of this kit is that it will not break the fence or

risk injury to the horse if hit vertically. The rail is only released when impacted horizontally by the horse. The risk of a resulting rotational fall is thus reduced.

RECOMMENDED FENCE DIMENSIONS									
<p>POST</p> 	<p>RAIL</p> 								
<p>MIN-MAX SIZE</p> <table border="1"><tr><td>6 - 10</td><td>inch</td></tr><tr><td>150 - 250</td><td>mm</td></tr></table>	6 - 10	inch	150 - 250	mm	<p>MIN-MAX DIAMETER</p> <table border="1"><tr><td>8 - 12</td><td>inch</td></tr><tr><td>200 - 300</td><td>mm</td></tr></table>	8 - 12	inch	200 - 300	mm
6 - 10	inch								
150 - 250	mm								
8 - 12	inch								
200 - 300	mm								
	<p>MAXIMUM LENGTH</p> <table border="1"><tr><td>16.4</td><td>ft</td></tr><tr><td>500</td><td>cm</td></tr></table>	16.4	ft	500	cm				
16.4	ft								
500	cm								
<p>MIN-MAX SIZE</p> <table border="1"><tr><td>6 - 10</td><td>inch</td></tr><tr><td>150 - 250</td><td>mm</td></tr></table>	6 - 10	inch	150 - 250	mm	<p>MAXIMUM WEIGHT</p> <table border="1"><tr><td>440.92</td><td>lb</td></tr><tr><td>200</td><td>kg</td></tr></table>	440.92	lb	200	kg
6 - 10	inch								
150 - 250	mm								
440.92	lb								
200	kg								



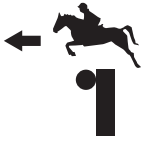
It is essential to follow the recommended dimensions on the fence for the correct function. If the recommended procedure is not correctly followed it may cause the failure of the device.

For your own safety and that of others please note the following step by step advice for correct preparation and installation. It is important that you follow your own health and safety requirements when constructing this kit.

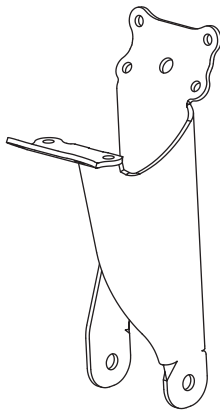
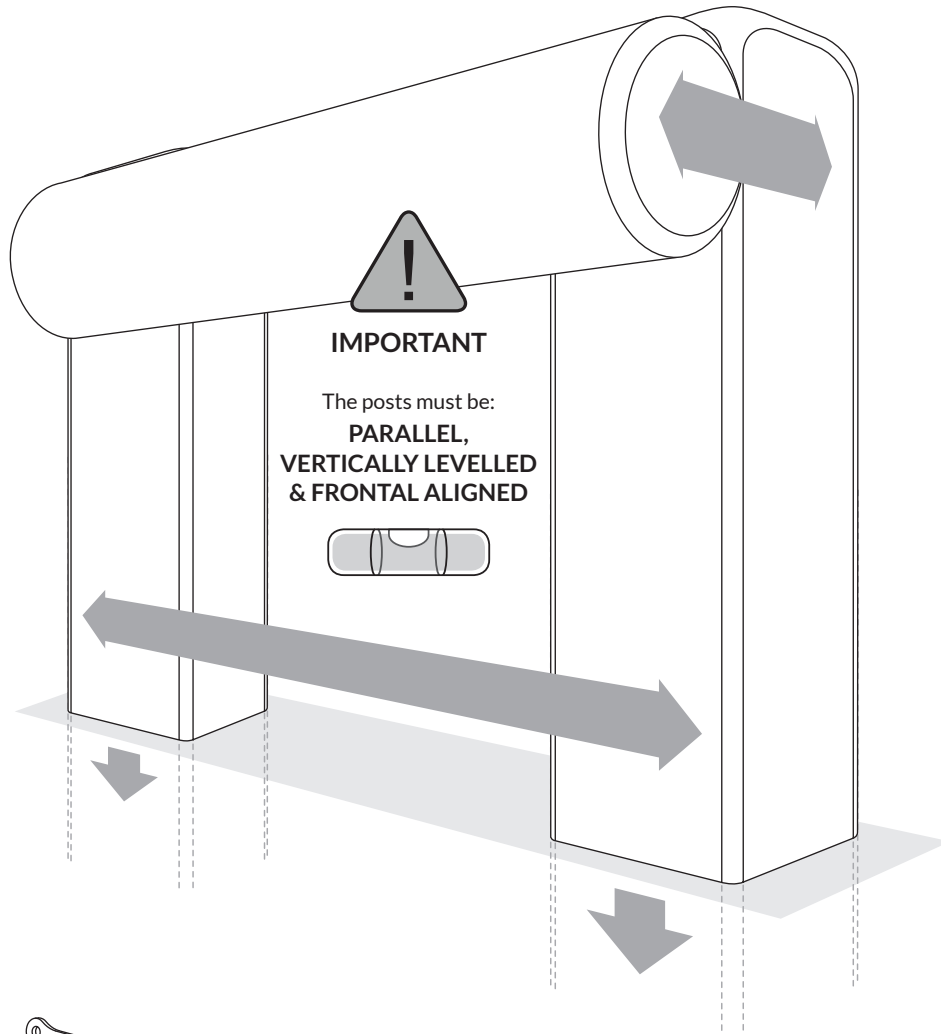
**Ensure that you have all parts of the Post & Rail Kit.**

**Be aware of the risk of injury when handling heavy rails, poles and the tools for mounting.**

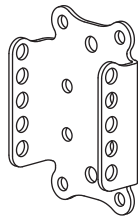
**WARNING!**



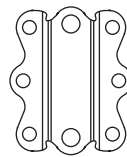
Jumping direction



**A** F65  
Part no 2x



**B** F64A5  
Part no 2x



**C** F70A  
Part no 4x






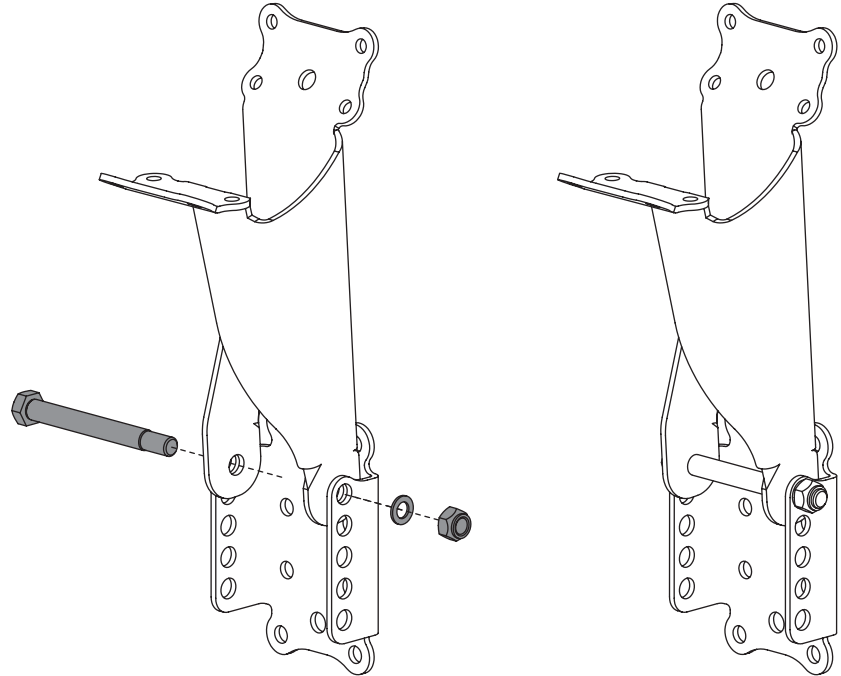
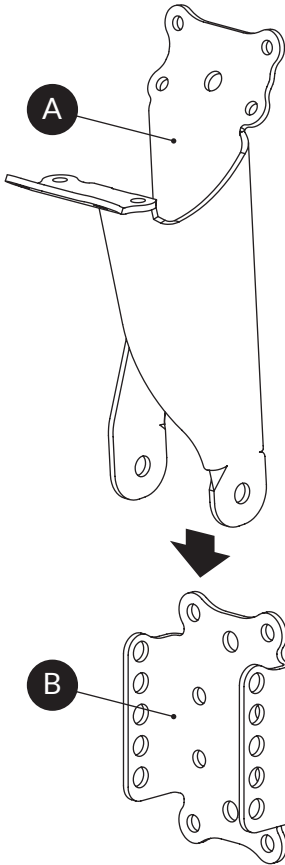
**D** F18C  
Part no 6x

<p>M-SM12x120 2X</p>	<p>M-BR12x22x2s 2X</p>	<p>M-MM12Ny 2X</p>	<p>M-TS10X90 4X</p>	<p>POST 2X</p> <p>not included</p>	<p>RAIL 1X</p> <p>not included</p>
--------------------------	----------------------------	------------------------	-------------------------	--	--

STEP  
**1**

**2X**

M-SM12x120 2X 	M-BR12x22x2s 2X 	M-MM12Ny 2X 
---	---	---



STEP  
**2**

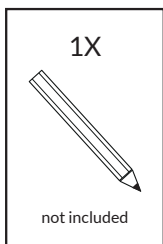
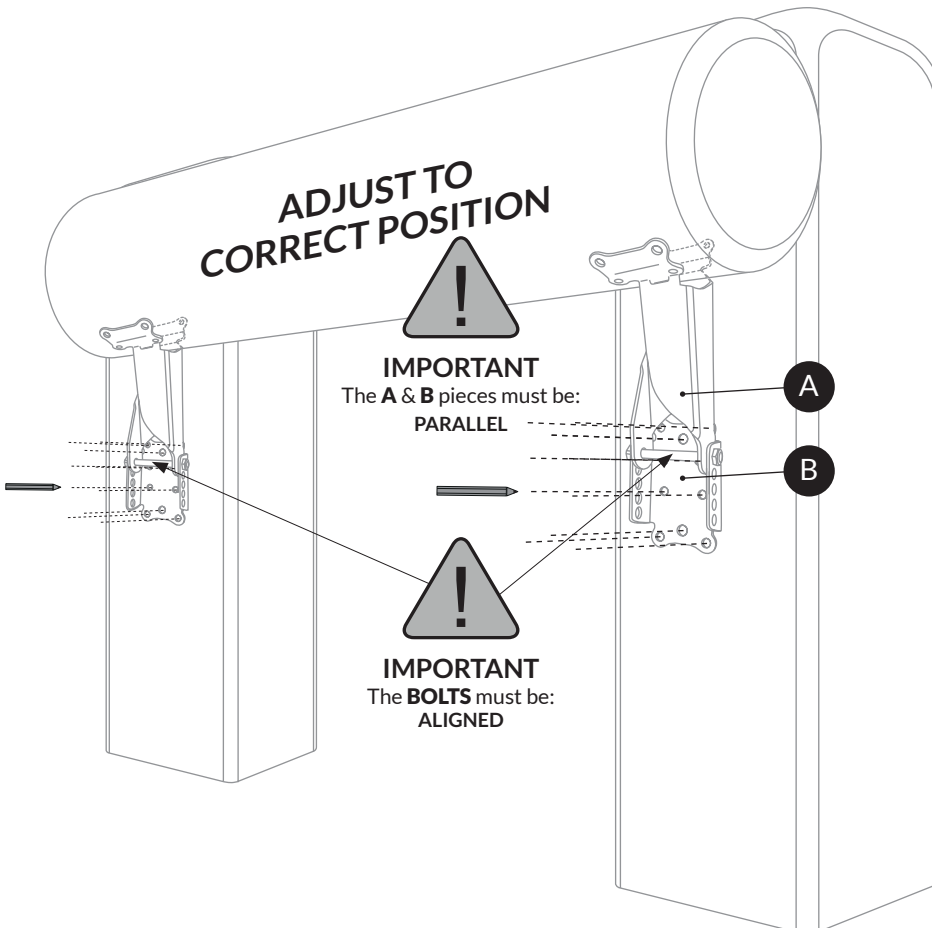
**ADJUST TO  
CORRECT POSITION**



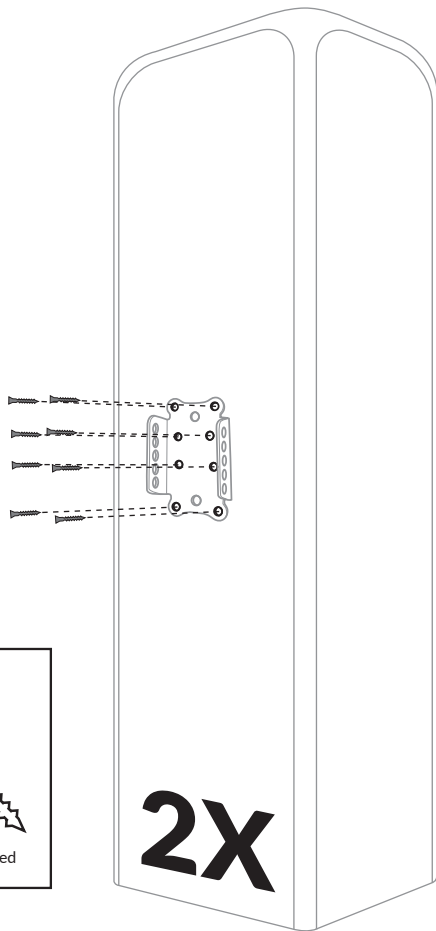
**IMPORTANT**  
The **A & B** pieces must be:  
**PARALLEL**



**IMPORTANT**  
The **BOLTS** must be:  
**ALIGNED**

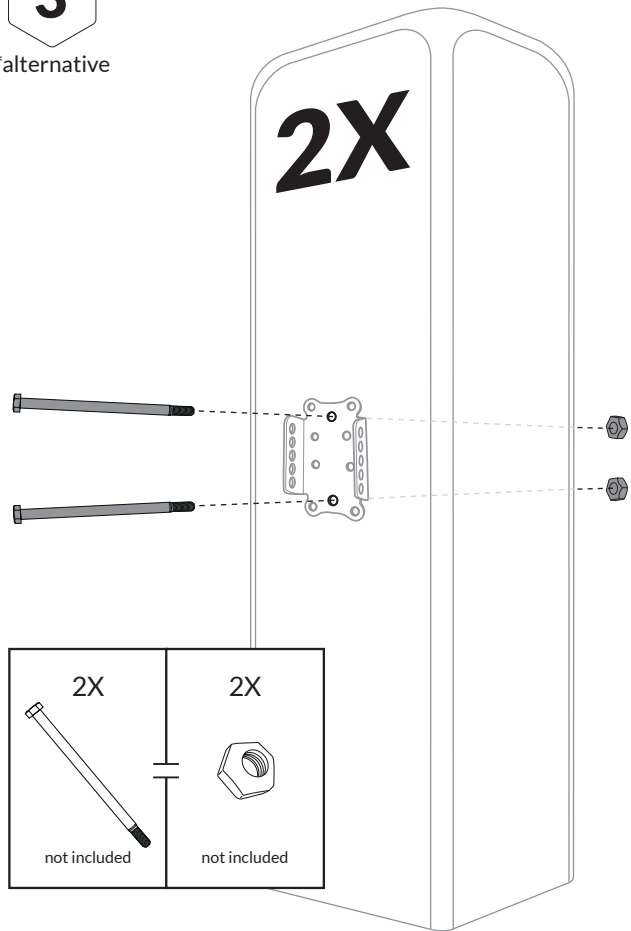


STEP  
**3**

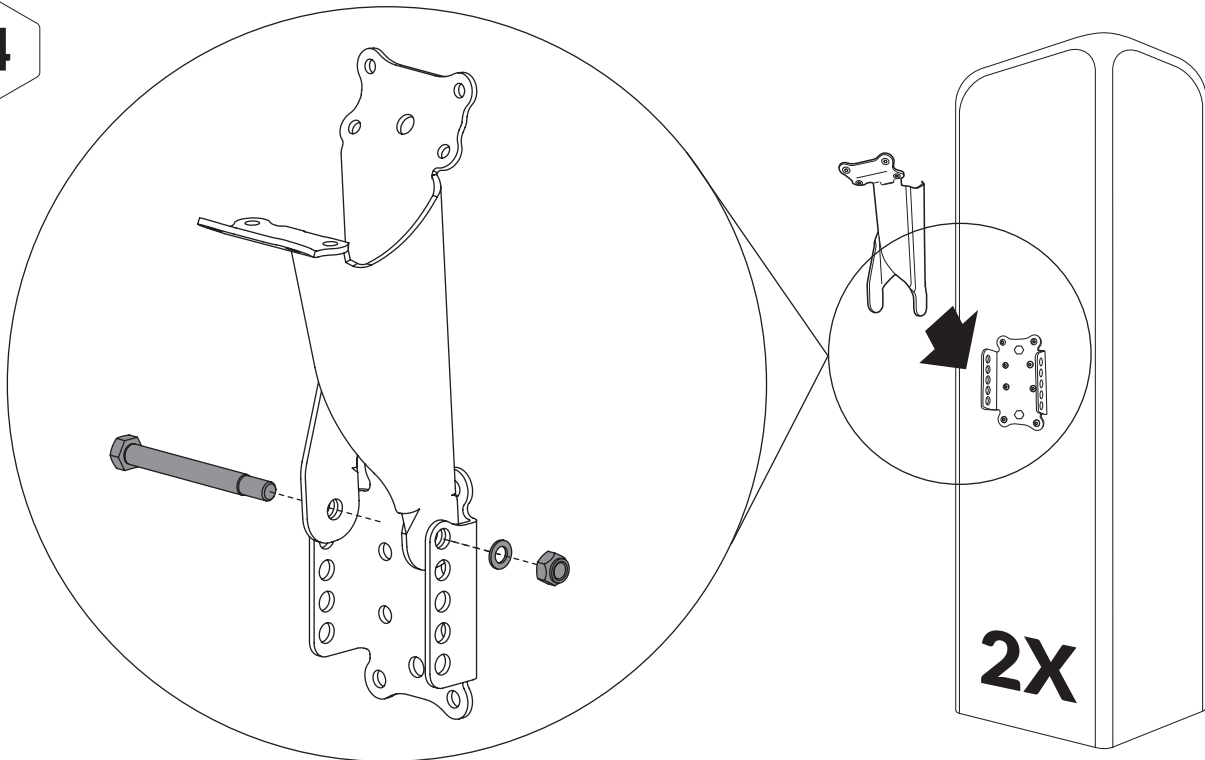


STEP  
**3\***

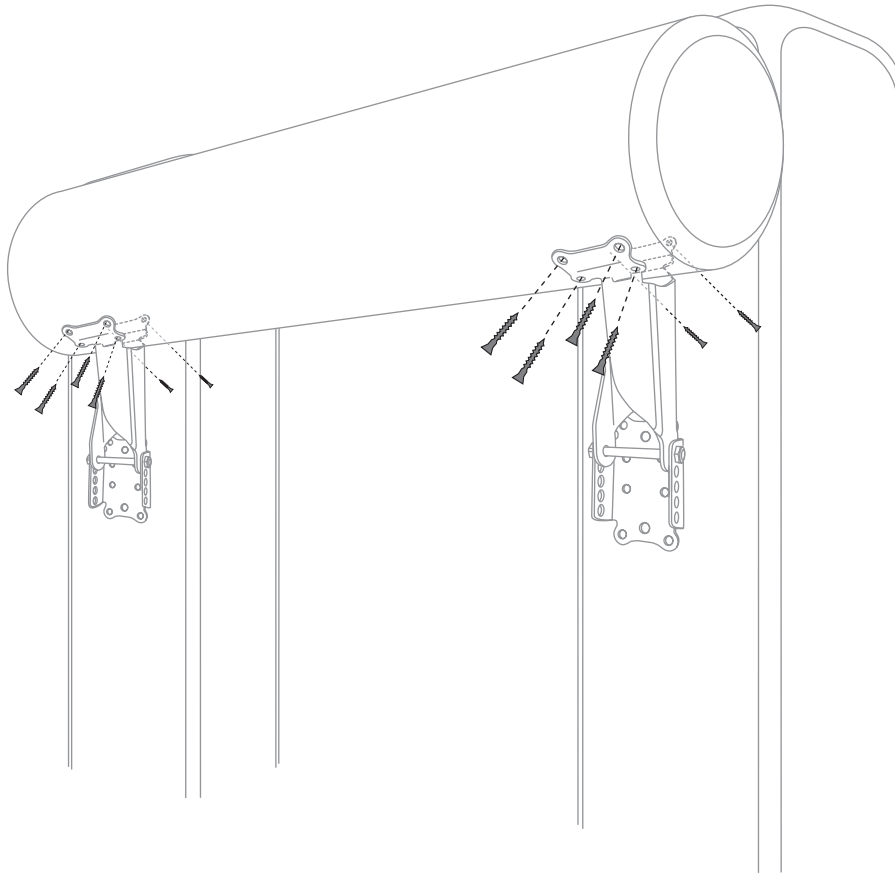
\*alternative



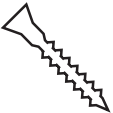
STEP  
**4**



STEP  
**5**



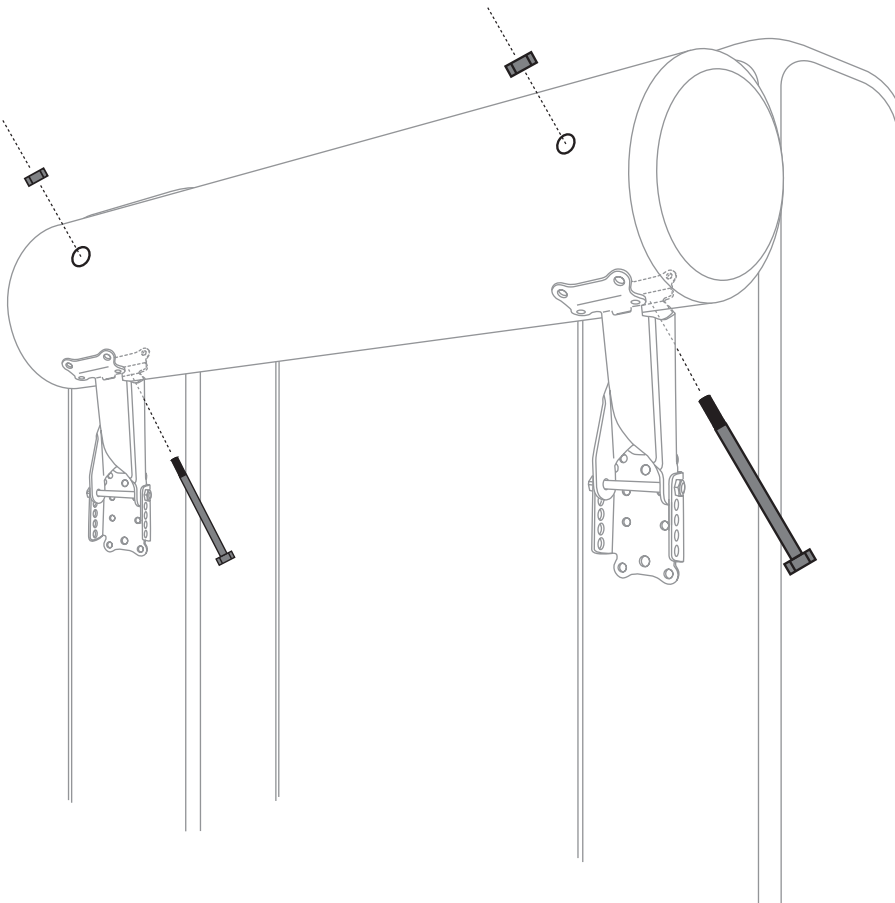
12X





not included

STEP  
**5\***

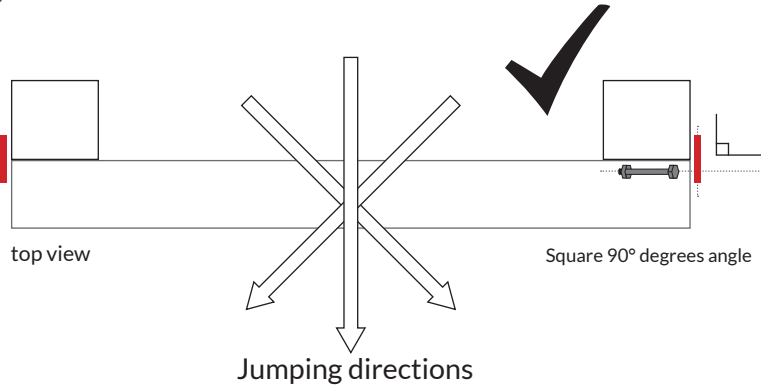
\*alternative



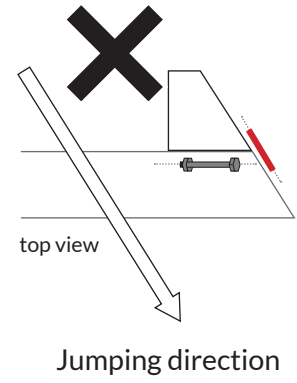
2X	2X
	
not included	not included

STEP  
**6**

CORRECT alignment of the clip





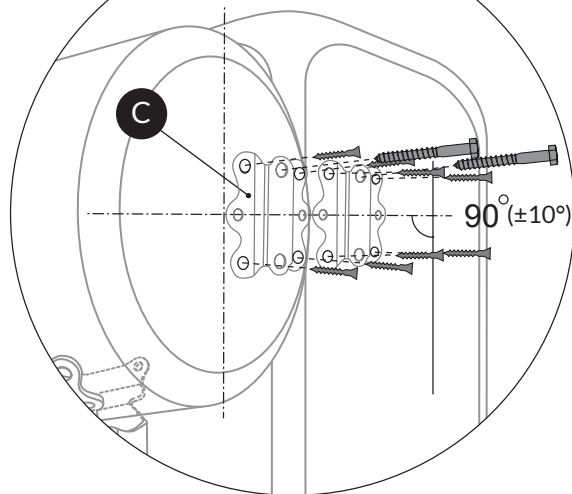
WRONG alignment of the clip



STEP  
**7**

**2X**

M-TS10X90 <b>2X</b> 	<b>8X</b>  not included
---	--

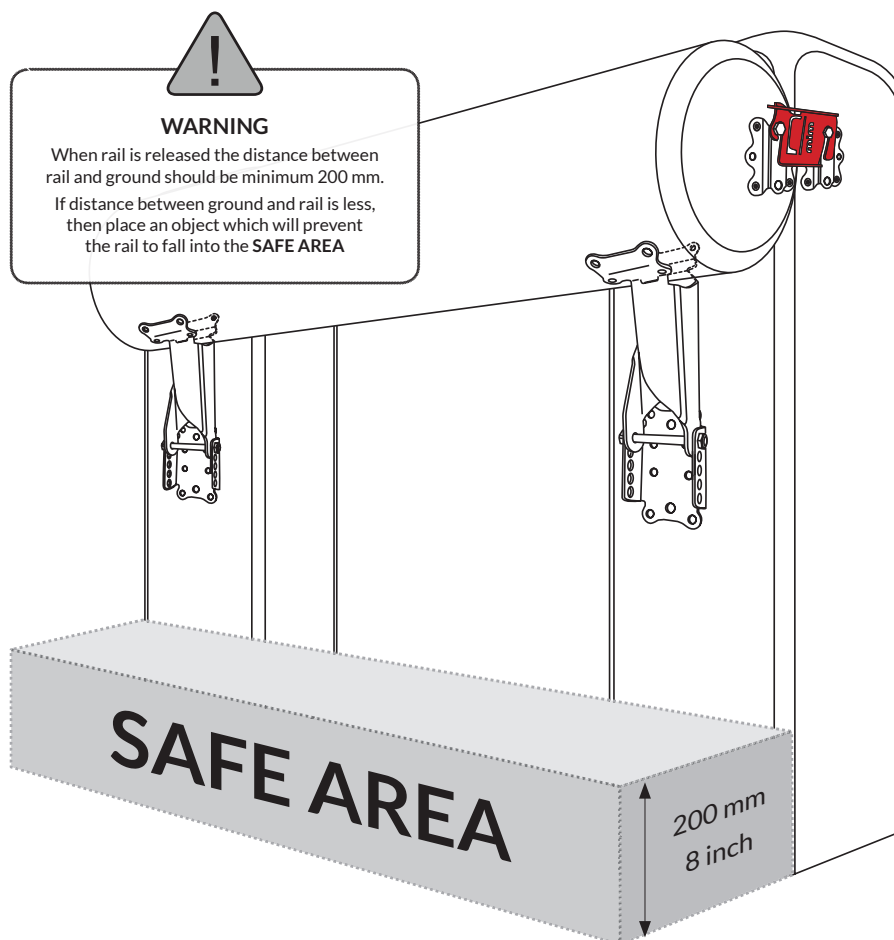
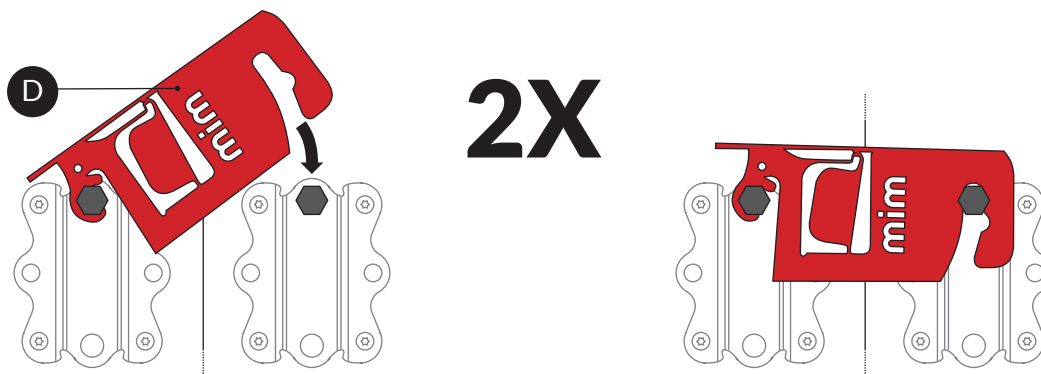


The **C** pieces must be:



**PARALLEL AND  
HORIZONTALLY LEVELLED**

STEP  
8



## The advantages of the Post & Rail Kit

1. It has been produced with safety being the first and foremost important factor.
2. Reduces the possibility of rotational falls.
3. FEI approved number FEI01SWE.
4. Controlled movement of fence during release.
5. Reconstruction time is less than 30 seconds.
6. The parts are made of powder coated steel and can be left outside, no maintenance is required.
7. The very highest quality of product from Sweden.

The Mim clip (F18C) breaks on impact, which clearly indicates when replacement is needed. The rail is connected to the post with a hinge that makes the fence easy to reconstruct. This saves time, guarantees fair and correct judging for riders and contributes to the overall safety of the sport.