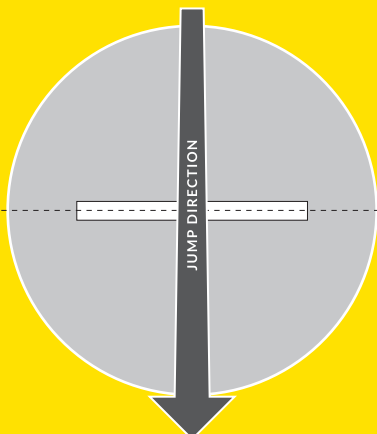
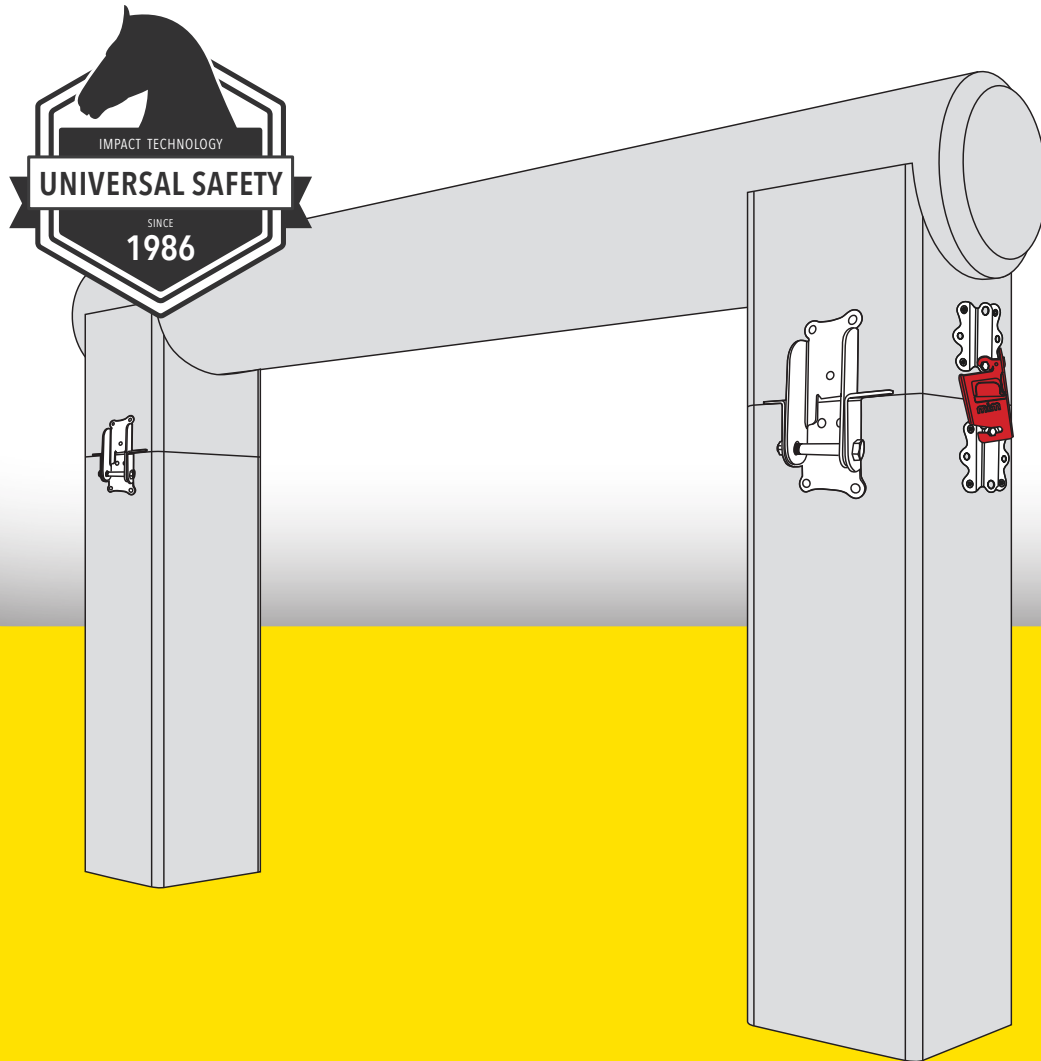


# mimSAFE

[newera.mimsafe.com](http://newera.mimsafe.com)



ASSEMBLY INSTRUCTIONS

## POST & RAIL SKINNY KIT

NEWERA USIT SYSTEM



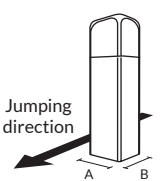


APPROVED

# INFORMATION ABOUT THE POST & RAIL SKINNY KIT

The Post & Rail Skinny Kit has been designed and developed specifically to greatly reduce the risk of rotational falls. The most important element of this kit is that it will not break the fence or

risk injury to the horse if hit vertically. The rail is only released when impacted horizontally by the horse. The risk of a resulting rotational fall is thus reduced.

## RECOMMENDED FENCE DIMENSIONS

POST	RAIL								
									
<b>A: MIN-MAX SIZE</b>	<b>MIN-MAX WEIGHT</b>								
<table border="1" style="width: 100%; border-collapse: collapse;"> <tr> <td style="text-align: center;"><b>6 - 8</b></td> <td style="text-align: center;">inch</td> </tr> <tr> <td style="text-align: center;"><b>150 - 200</b></td> <td style="text-align: center;">mm</td> </tr> </table>	<b>6 - 8</b>	inch	<b>150 - 200</b>	mm	<table border="1" style="width: 100%; border-collapse: collapse;"> <tr> <td style="text-align: center;"><b>88 - 440</b></td> <td style="text-align: center;">lb</td> </tr> <tr> <td style="text-align: center;"><b>40 - 200</b></td> <td style="text-align: center;">kg</td> </tr> </table>	<b>88 - 440</b>	lb	<b>40 - 200</b>	kg
<b>6 - 8</b>	inch								
<b>150 - 200</b>	mm								
<b>88 - 440</b>	lb								
<b>40 - 200</b>	kg								
<b>B: MINIMUM-SIZE</b>	<b>MIN-MAX DIAMETER</b>								
<table border="1" style="width: 100%; border-collapse: collapse;"> <tr> <td style="text-align: center;"><b>6</b></td> <td style="text-align: center;">inch</td> </tr> <tr> <td style="text-align: center;"><b>150</b></td> <td style="text-align: center;">mm</td> </tr> </table>	<b>6</b>	inch	<b>150</b>	mm	<table border="1" style="width: 100%; border-collapse: collapse;"> <tr> <td style="text-align: center;"><b>8 - 12</b></td> <td style="text-align: center;">inch</td> </tr> <tr> <td style="text-align: center;"><b>200 - 300</b></td> <td style="text-align: center;">mm</td> </tr> </table>	<b>8 - 12</b>	inch	<b>200 - 300</b>	mm
<b>6</b>	inch								
<b>150</b>	mm								
<b>8 - 12</b>	inch								
<b>200 - 300</b>	mm								
<div style="text-align: center;"> <p>Check</p>  </div>	<b>MAXIMUM LENGTH</b>								
	<table border="1" style="width: 100%; border-collapse: collapse;"> <tr> <td style="text-align: center;"><b>12</b></td> <td style="text-align: center;">ft</td> </tr> <tr> <td style="text-align: center;"><b>360</b></td> <td style="text-align: center;">cm</td> </tr> </table>	<b>12</b>	ft	<b>360</b>	cm				
<b>12</b>	ft								
<b>360</b>	cm								



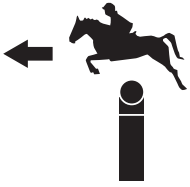
It is essential to follow the recommended dimensions on the fence for the correct function. If the recommended procedure is not correctly followed it may cause the failure of the device.

For your own safety and that of others please note the following step by step advice for correct preparation and installation. It is important that you follow your own health and safety requirements when constructing this kit.

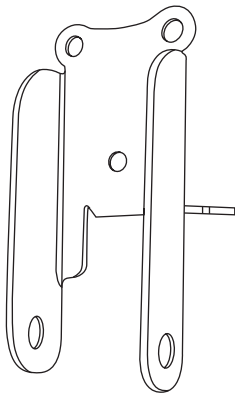
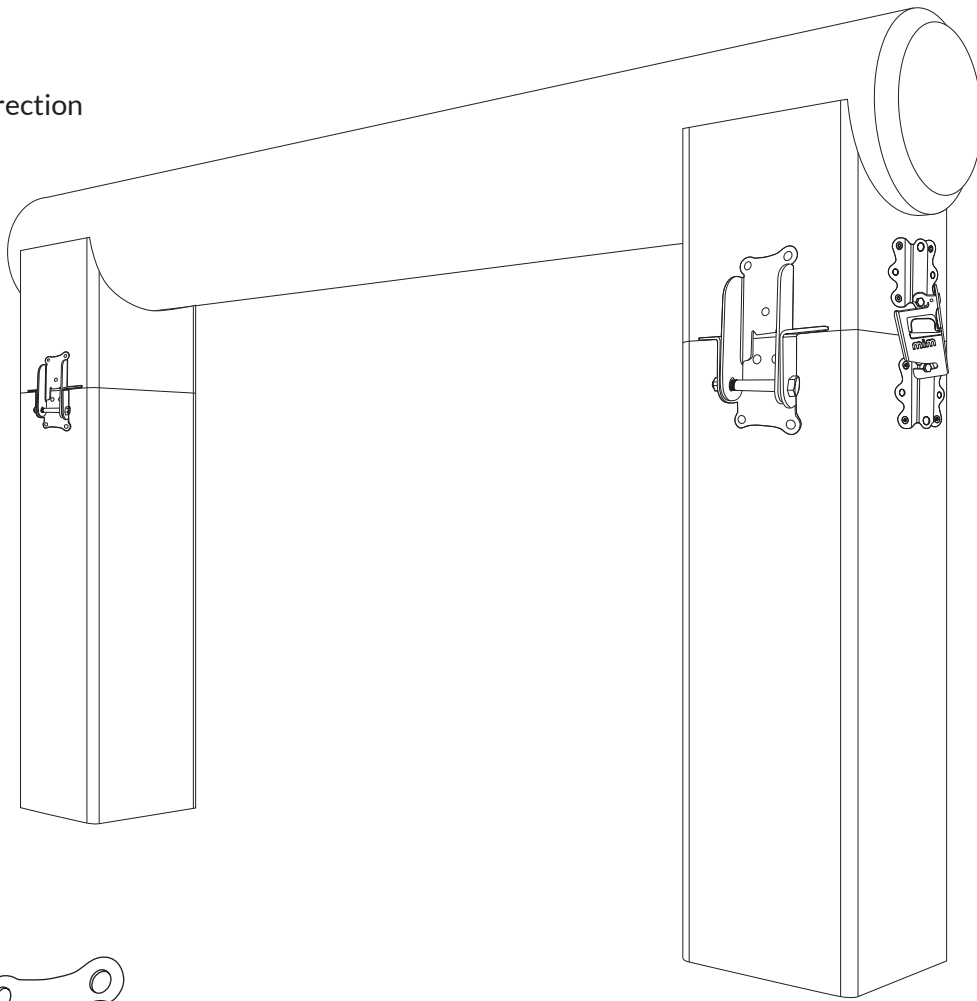
**Ensure that you have all parts of the Post & Rail Skinny Kit.**

**Be aware of the risk of injury when handling heavy rails, poles and the tools for mounting.**

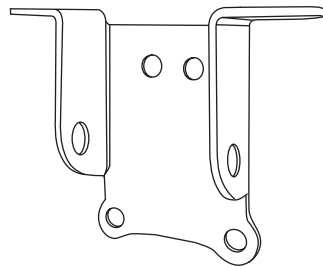
**WARNING!**



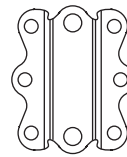
Jumping direction



<b>A</b>	F76D	2x
	Part no	



<b>B</b>	F76C	2x
	Part no	



<b>C</b>	F70A	4x
	Part no	






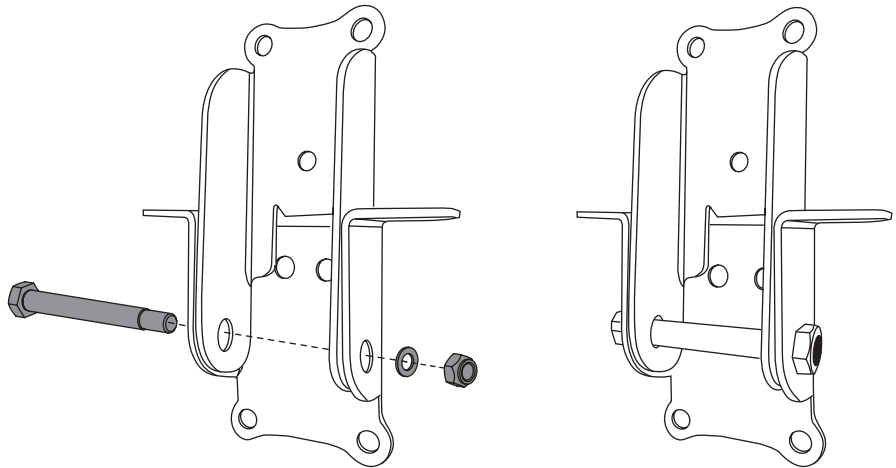
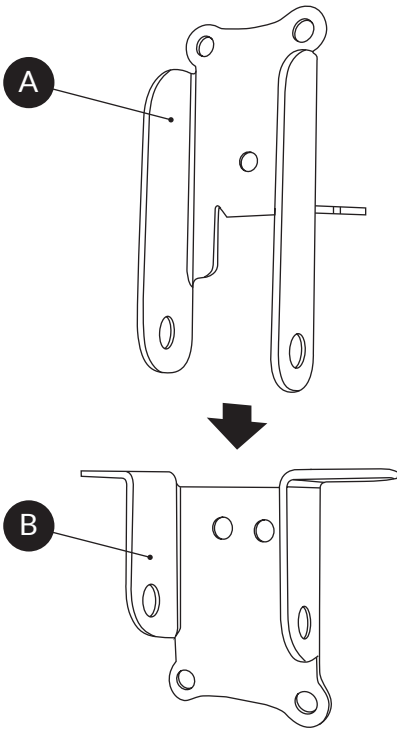
<b>D</b>	F18C	6x
	Part no	

<p>M-SM12x90 2X</p>	<p>M-BR12x22x2s 2X</p>	<p>M-MM12Ny 2X</p>	<p>M-TS10X90 4X</p>	<p>POST TOP SECTION 2X</p> <p>not included</p>	<p>POST BOTTOM SECTION 2X</p> <p>not included</p>	<p>RAIL 1X</p> <p>not included</p>
-------------------------	----------------------------	------------------------	-------------------------	--------------------------------------------------------	-----------------------------------------------------------	----------------------------------------

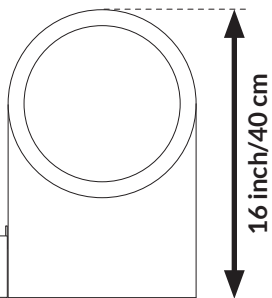
STEP  
**1**

**2X**

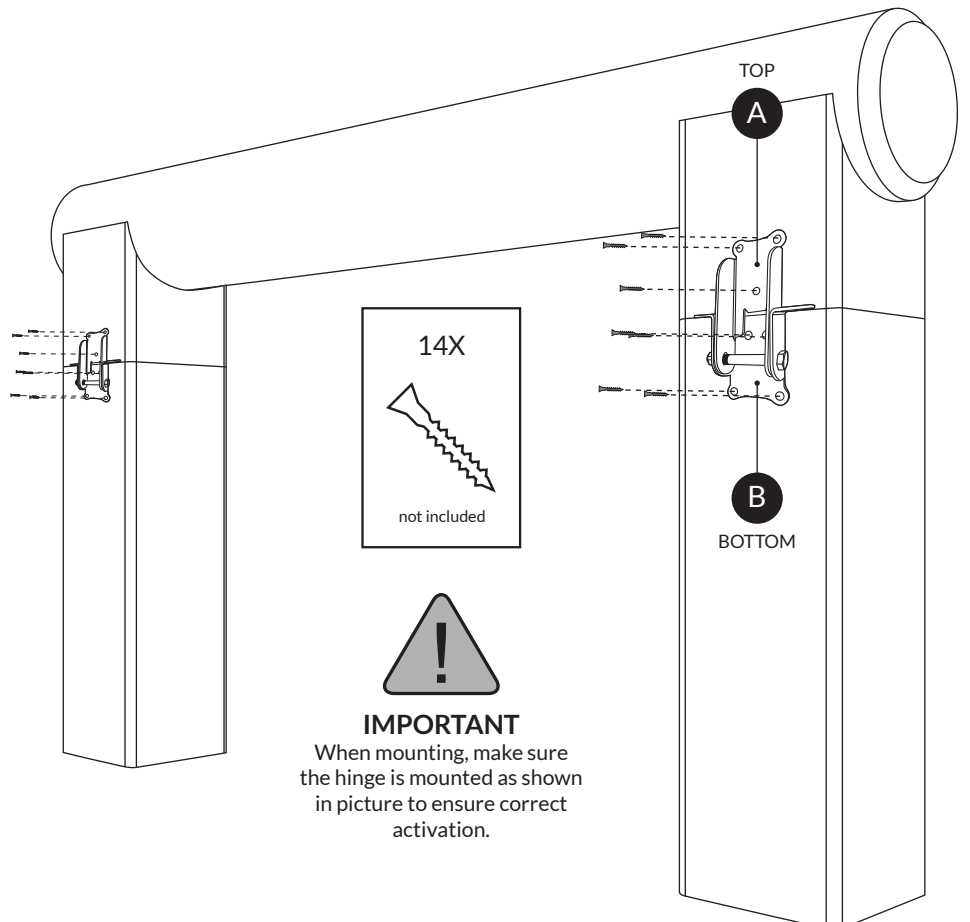
M-SM12x120 1X 	M-BR12x22x2s 1X 	M-MM12Ny 1X 
-------------------------------------------------------------------------------------------------------	-----------------------------------------------------------------------------------------------------------	-------------------------------------------------------------------------------------------------------

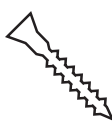


STEP  
**2**



**IMPORTANT**  
Make sure you follow the cutting measurements for correct fence release/function



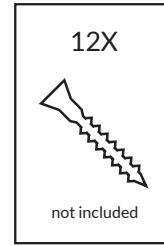
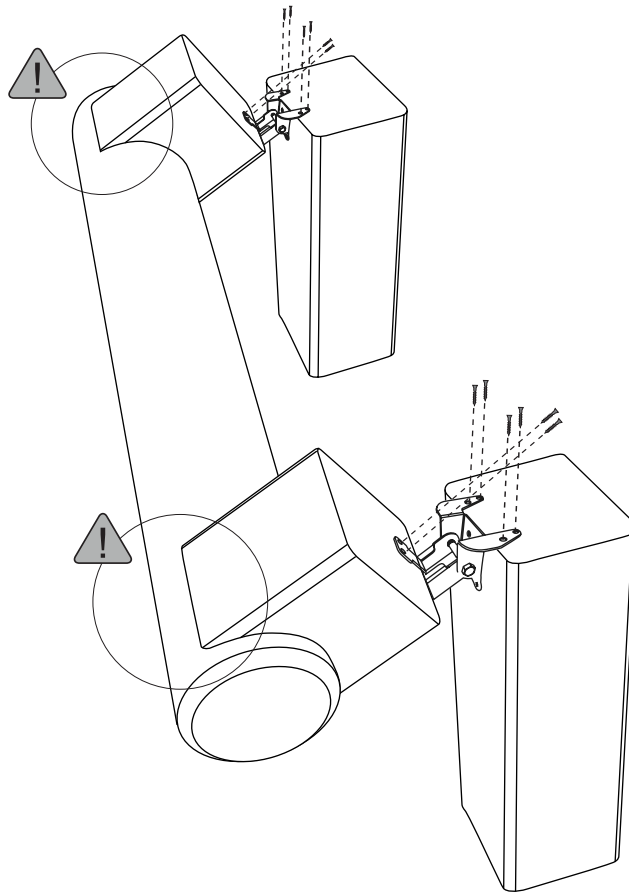
14X  
  
not included

**IMPORTANT**  
When mounting, make sure the hinge is mounted as shown in picture to ensure correct activation.

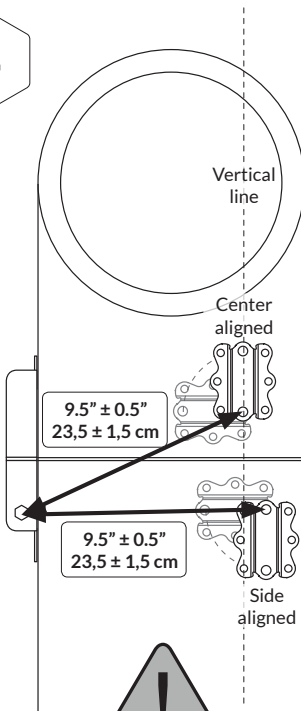
STEP  
**3**



**IMPORTANT**  
Make sure the horizontal rail  
is rigid fixed to the posts.



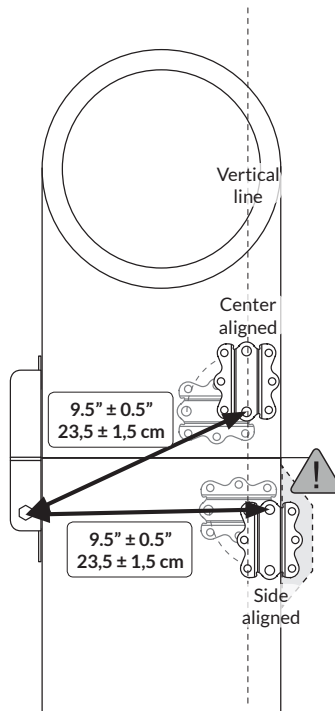
STEP  
**4**



**IMPORTANT**

Make sure you follow the mounting  
measurements for correct fence  
release/function

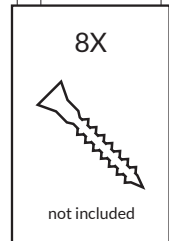
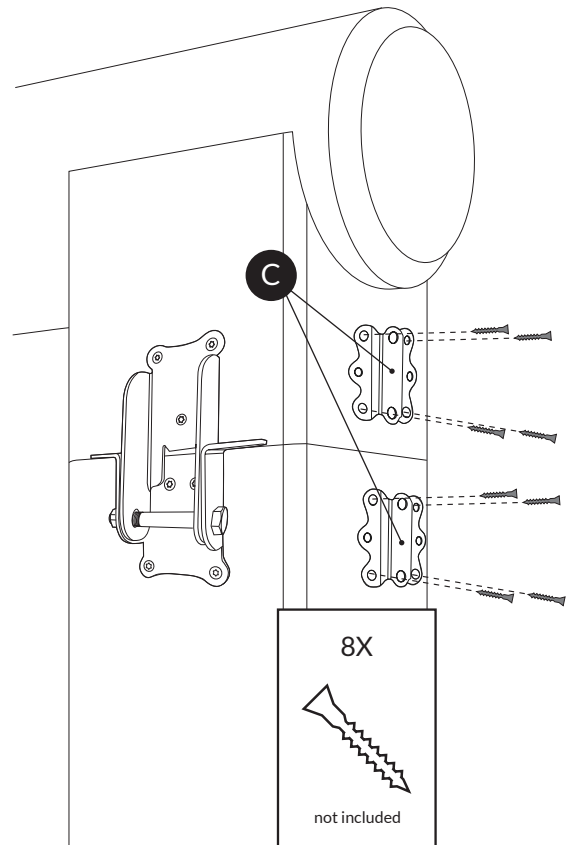
**There is no difference in the  
releasing force depending on  
the clip's orientation, vertical  
or horizontal, as long as the  
distance from the hinge bolt to  
the clip follows the instructions.**



**IMPORTANT**

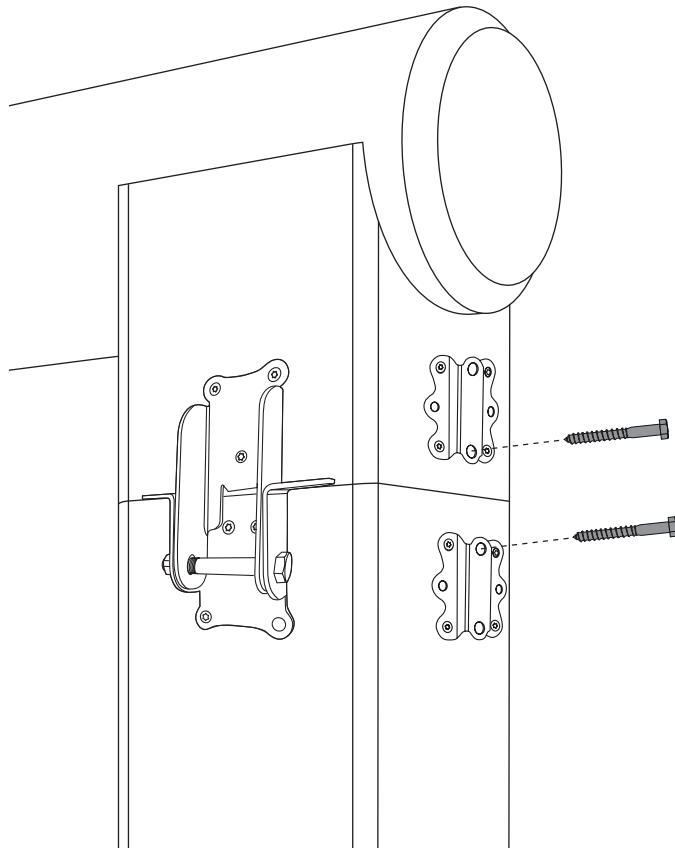
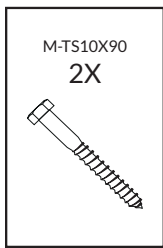
Add on material for the bracket C  
if post is too thin

**2X**



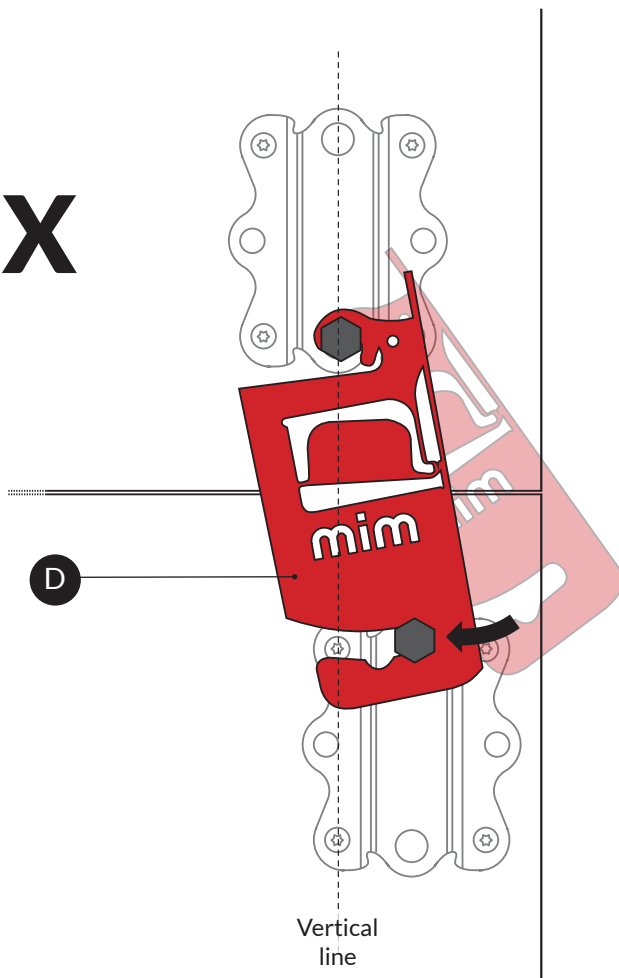
STEP  
**5**

**2X**



STEP  
**6**

**2X**



**IMPORTANT**



Distance between brackets should be adjusted to avoid clip D rattling.



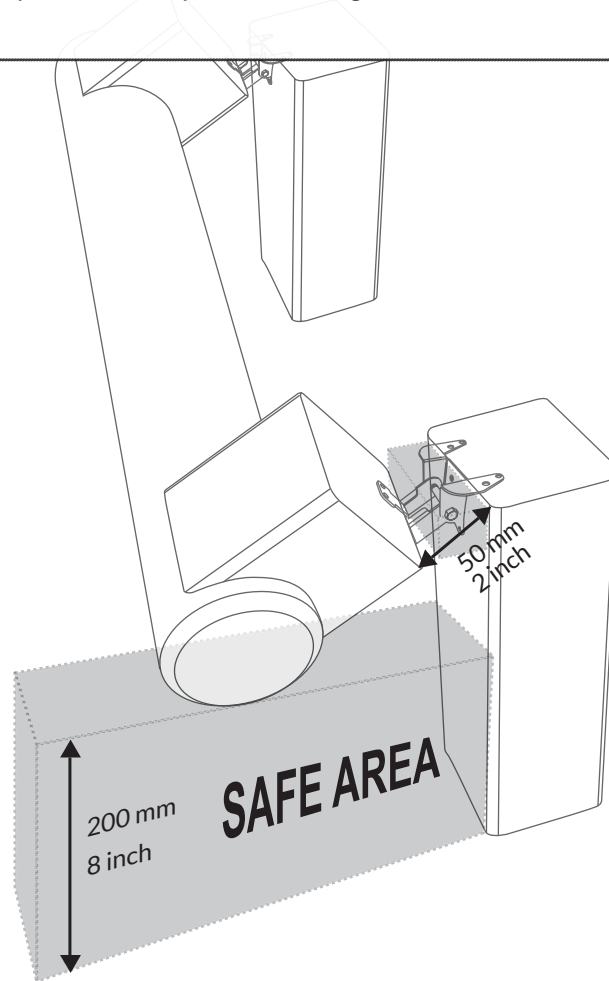
### IMPORTANT

When top section is released the gap between top section and bottom section should be **maximum 50 mm**.

If gap is wider, then place object to shrink/reduce the gap.

When top section is released the distance between top section and ground should be **minimum 200 mm**.

If distance between ground and top section is less, then place an object which will prevent the top section falling into the **SAFE AREA**



### The advantages of the Post & Rail Skinny kit

1. It has been produced with safety being the first and foremost important factor.
2. Reduces the possibility of rotational falls.
3. FEI approved number FEI01SWE.
4. Controlled movement of fence during release.
5. Reconstruction time is less than 30 seconds.
6. The parts are made of powder coated steel and can be left outside, no maintenance is required.
7. The very highest quality of product from Sweden ISO 9001.

The Mim clip (F18C) breaks on impact, which clearly indicates when replacement is needed. The top section is connected to the post with a hinge that makes the fence easy to reconstruct. This saves time, guarantees fair and correct judging for riders and contributes to the overall safety of the sport.