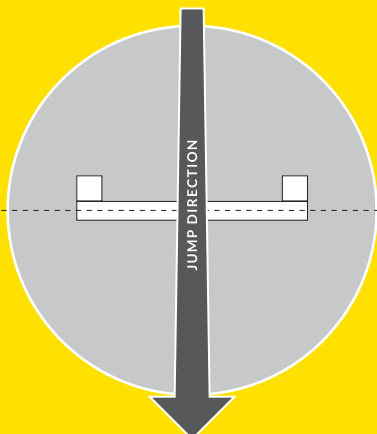
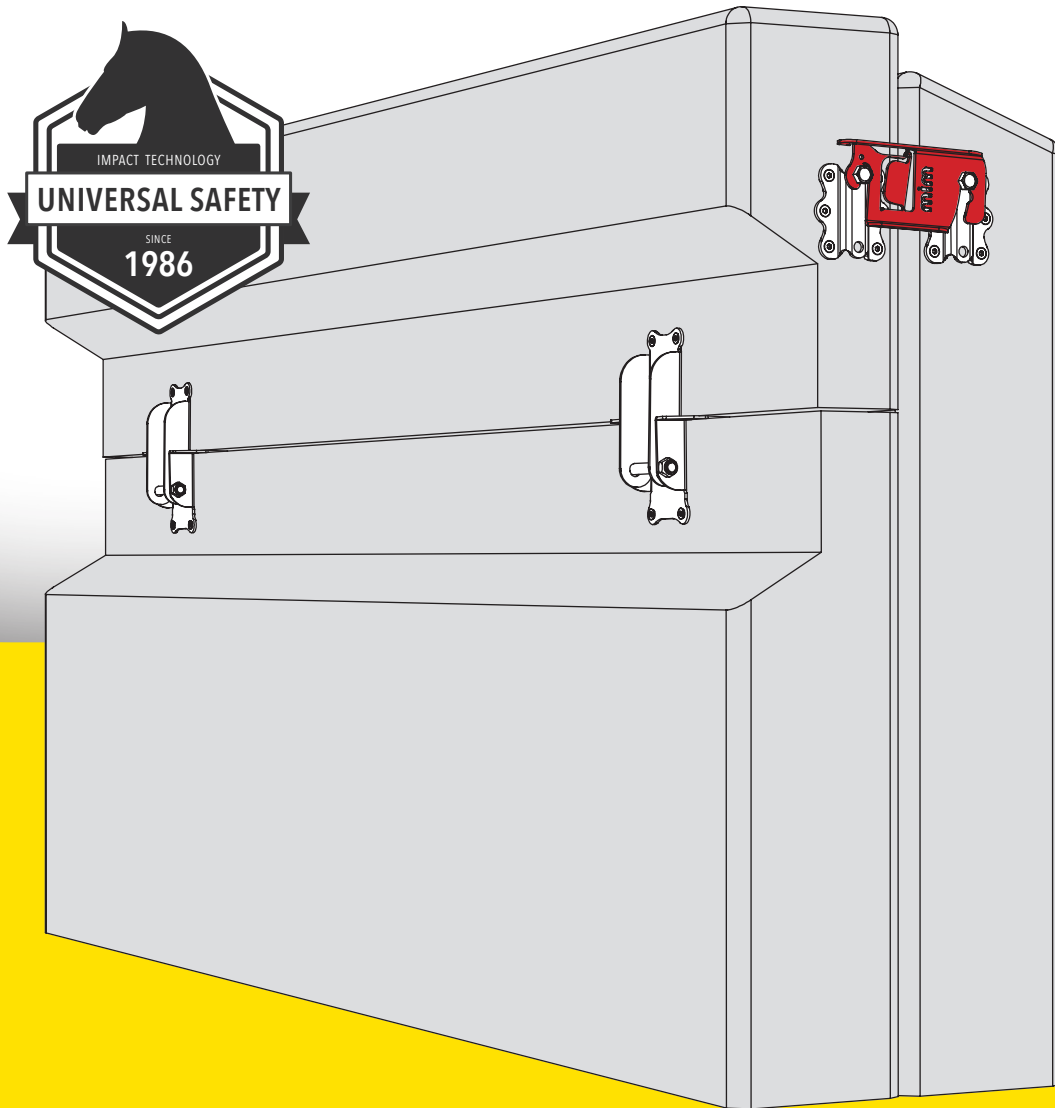


mimSAFE

newera.mimsafe.com



ASSEMBLY INSTRUCTIONS

WALL KIT

NEWERA USIT SYSTEM



APPROVED

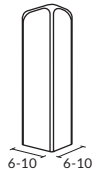


INFORMATION ABOUT THE WALL KIT

The Wall Kit has been designed and developed specifically to greatly reduce the risk of rotational falls. The most important element of this kit is that it will not break the fence or risk

injury to the horse if hit vertically. The top section is only released when impacted horizontally by the horse. The risk of a resulting rotational fall is thus reduced.


RECOMMENDED FENCE DIMENSIONS

Approved fence sizes

POST	TOP SECTION								
									
<p>MIN-MAX SIZE</p> <table border="1" style="margin: auto; border-collapse: collapse;"> <tr> <td style="text-align: center;">6 - 10</td> <td style="text-align: center;">inch</td> </tr> <tr> <td style="text-align: center;">150 - 250</td> <td style="text-align: center;">mm</td> </tr> </table>	6 - 10	inch	150 - 250	mm	<p>MIN-MAX WEIGHT</p> <table border="1" style="margin: auto; border-collapse: collapse;"> <tr> <td style="text-align: center;">110 - 265</td> <td style="text-align: center;">lb</td> </tr> <tr> <td style="text-align: center;">50 - 120</td> <td style="text-align: center;">kg</td> </tr> </table>	110 - 265	lb	50 - 120	kg
6 - 10	inch								
150 - 250	mm								
110 - 265	lb								
50 - 120	kg								
	 <p>Check step 2</p>								

RECOMMENDED MATERIAL

SPRUCE OR PINEWOOD



Very dry wood material could increase up to 50% in weight when exposed to very wet conditions.

It is essential to follow the recommended technical specifications of the fence for the correct function. If the recommended procedure is not correctly followed it may cause the failure of the device.

For your own safety and that of others please note the following step by step advice for correct preparation and installation. Always ensure that you follow your own health and safety requirements when constructing this fence.

CAUTION: The fence could cause risk of injury in upfolded position

Ensure that you have all parts of the Wall Kit.

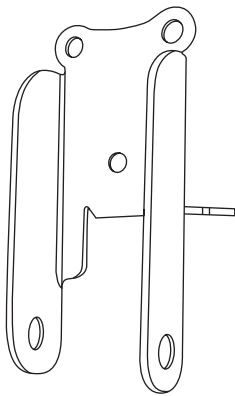
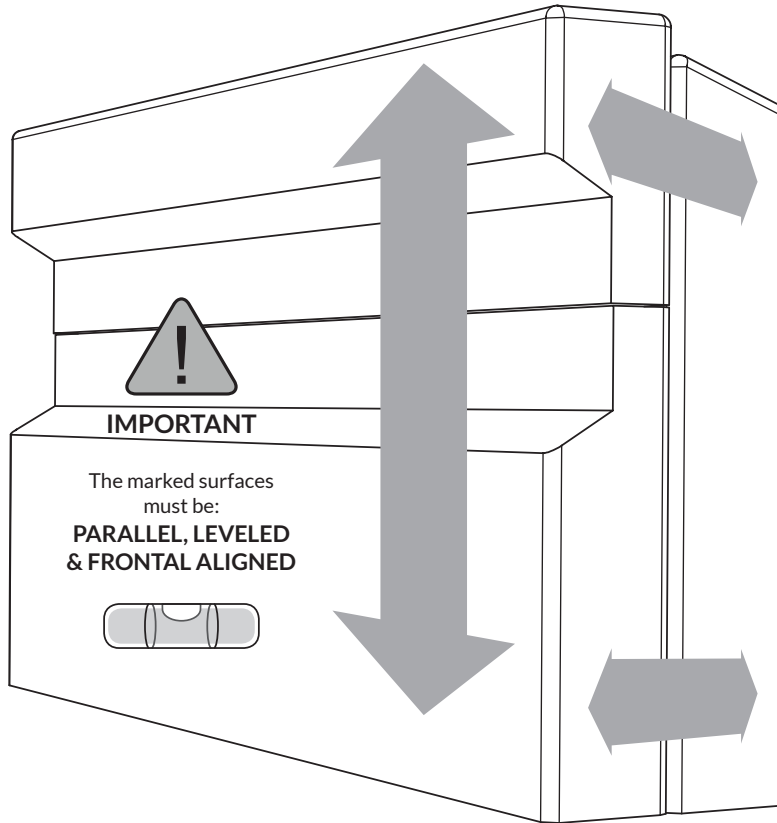
Be aware of the risk of injury when handling heavy rails, poles and the tools for mounting.

WARNING!

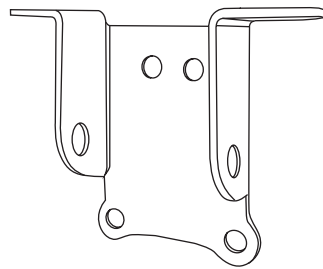


THE TOP SECTION IS THE FOLDABLE PART OF THE FENCE AND NEEDS TO BE TORSIONALLY RIGID

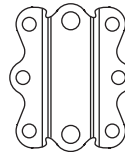
A torsionally rigid object is achieved by making a box construction. This concerns the top section which should be a rounded or square box construction. This is to avoid torsion when the fence is activated by impact of center. Secure the posts into the ground.



A F76D
Part no 2x



B F76C
Part no 2x



C F70A
Part no 4x



D F18C
Part no 6x

M-SM12x90 2X	M-BR12x22x2s 2X	M-MM12Ny 2X	M-TS10X90 4X	POST 2X	TOP SECTION 1X	BOTTOM SECTION 1X
				not included	not included	not included



IMPORTANT

HOW TO CHECK TORSION

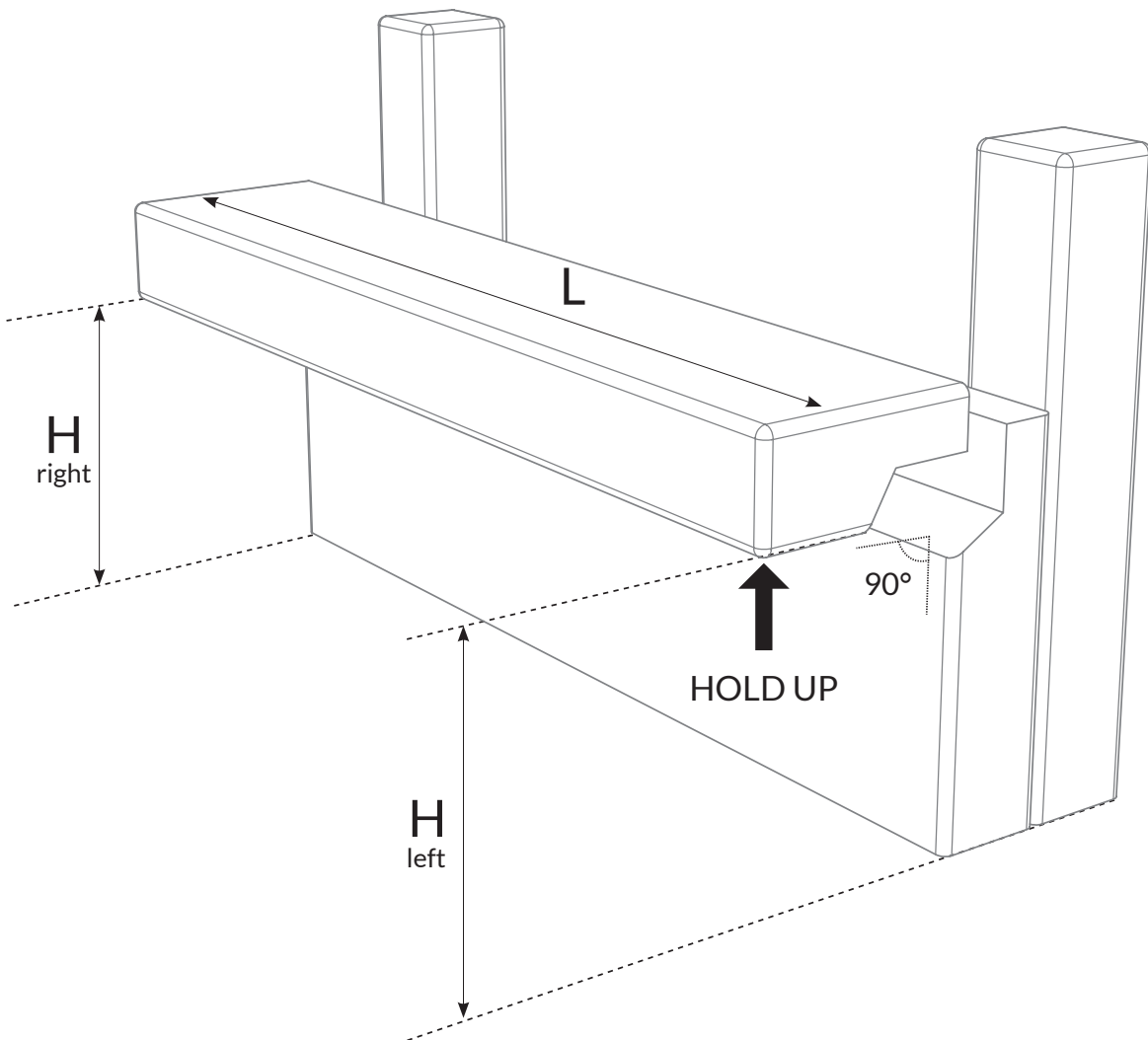
Hold up the Top Section by one end only. While this is being held perpendicular to the ground, measure the distances H.

These may only differ by 10mm per each meter in length L

Example:




L=3 meters

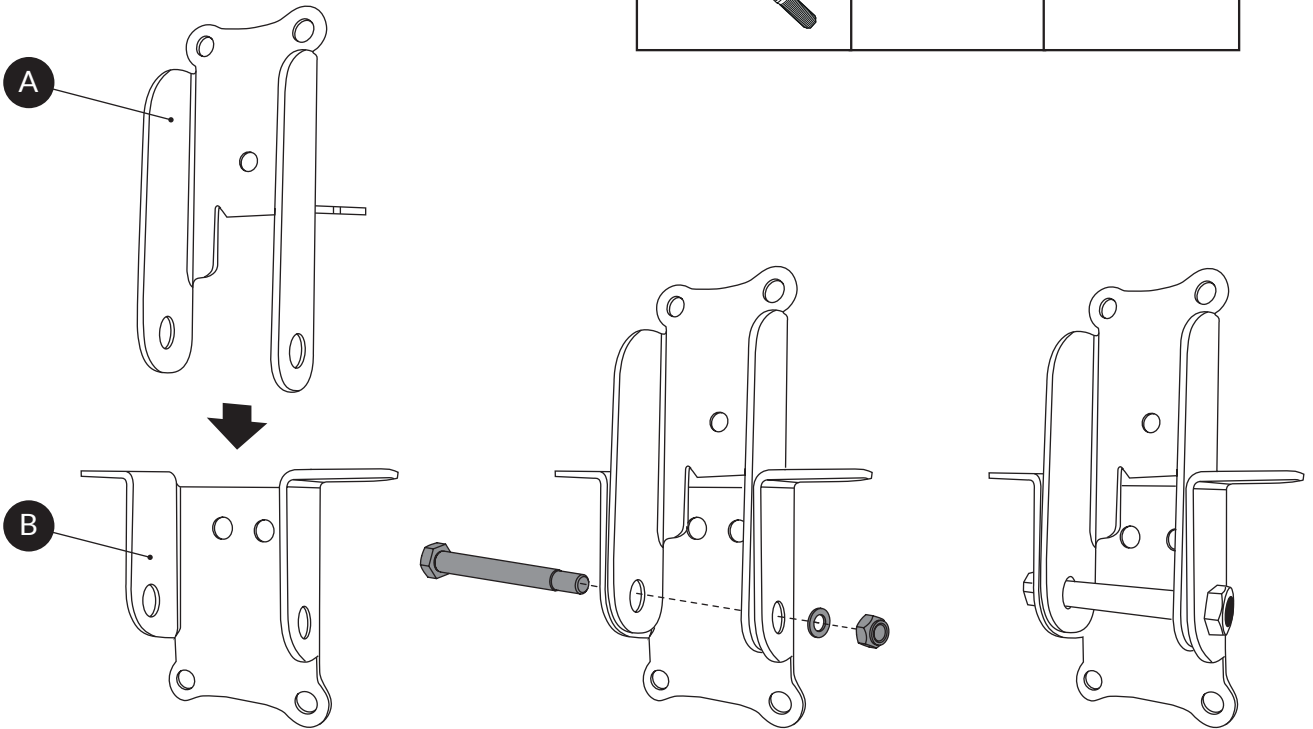
Allowed difference between right and left in H=30 millimeters



STEP
1

2X

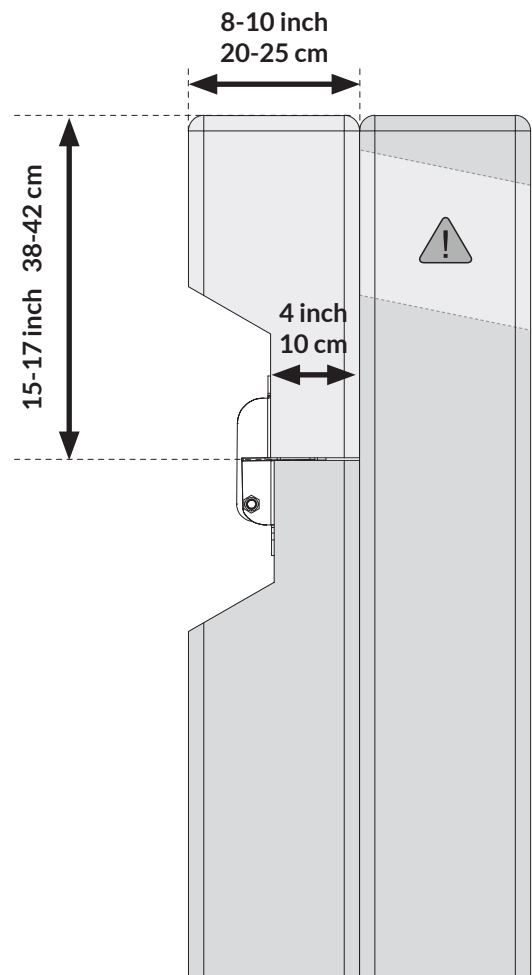
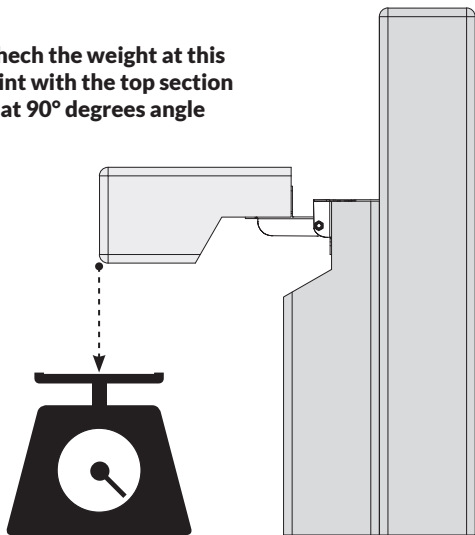
M-SM12x120 2X	M-BR12x22x2s 2X	M-MM12Ny 2X
		



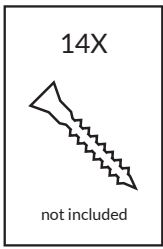
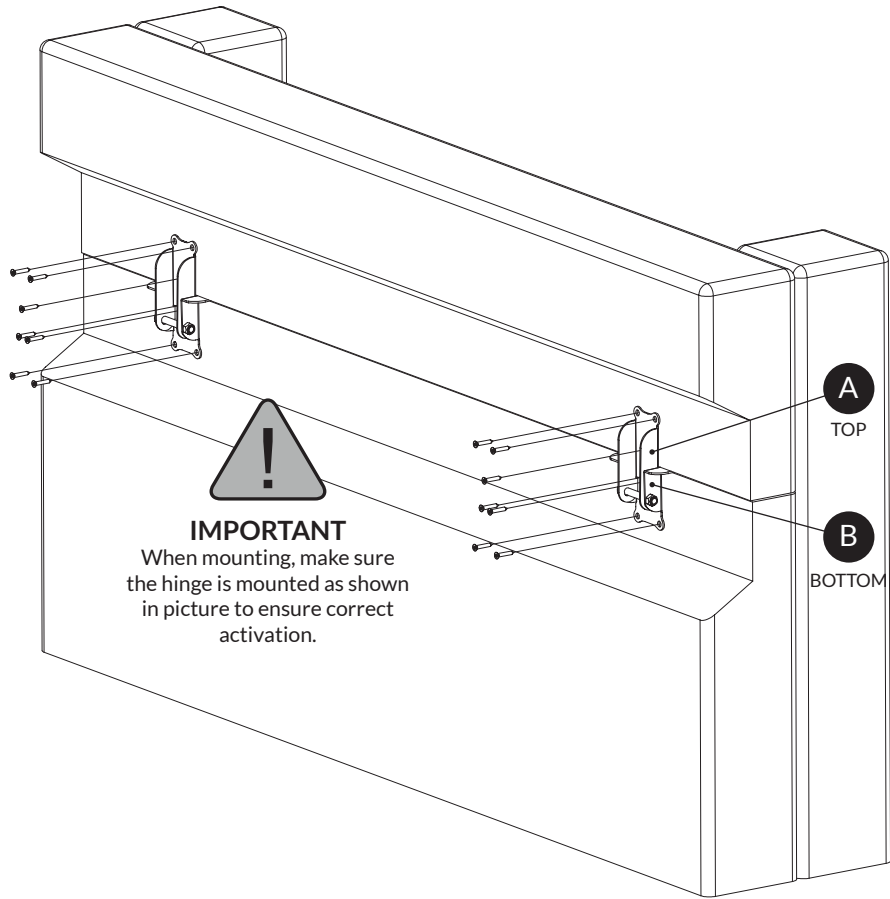
STEP
2

!
IMPORTANT
Don't cut until the clip is correctly mounted.
Make sure you follow the cutting measurements for correct fence release/function

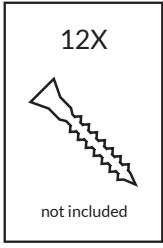
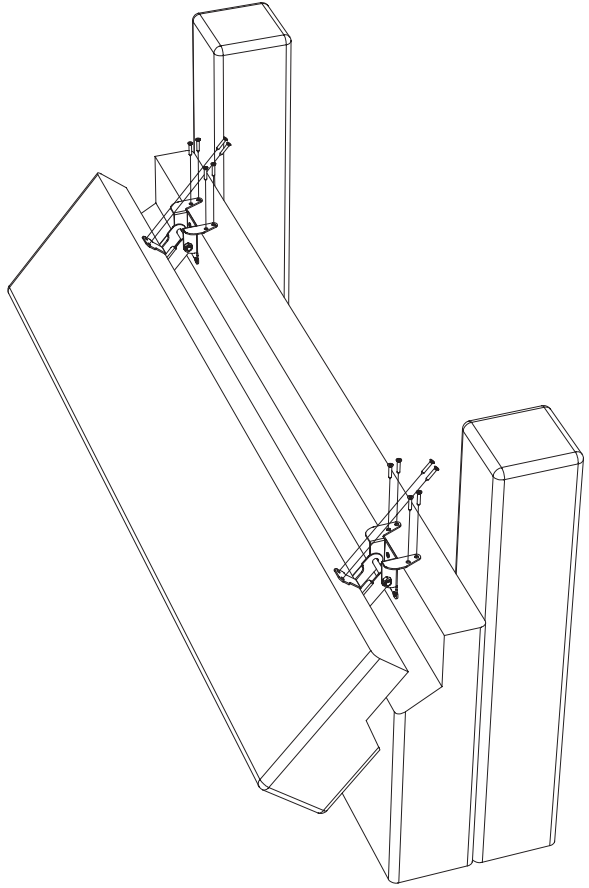
Check the weight at this point with the top section at 90° degrees angle



STEP
3



STEP
4

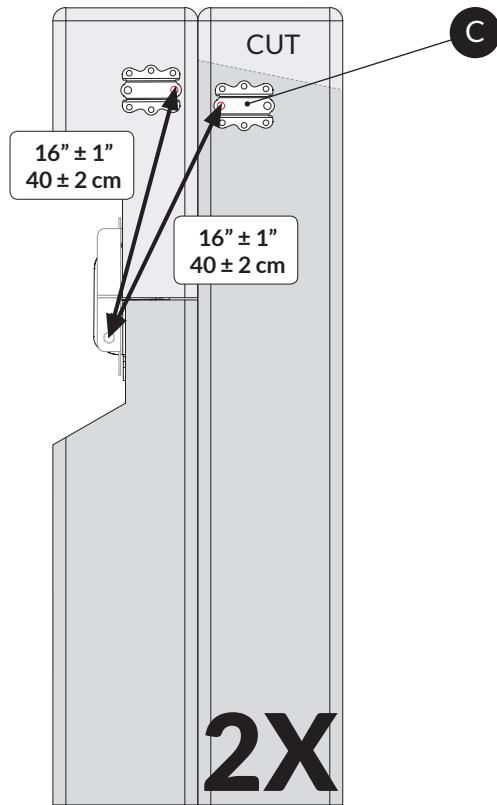


STEP
5

IMPORTANT



Distance between brackets should be adjusted to avoid clip D rattling.



IMPORTANT

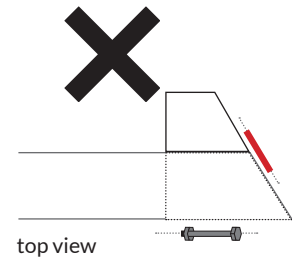
Make sure you follow the mounting measurements for correct fence release/function

STEP
6

CORRECT alignment of the clip



WRONG alignment of the clip



REGARDLESS OF THE JUMPING DIRECTION, THE CLIP MUST BE INSTALLED PERPENDICULAR (90°) TO THE HINGE

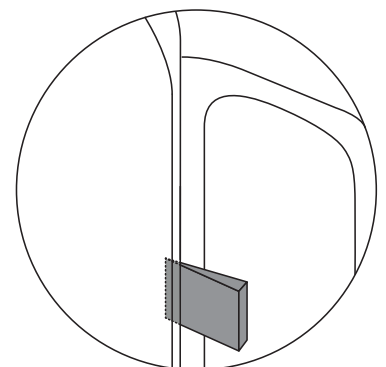
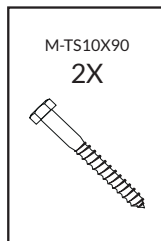
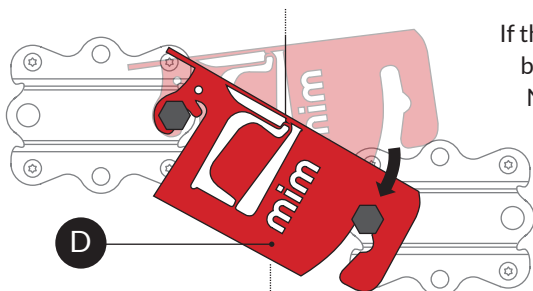
STEP
7

2X

IMPORTANT



If the clip D is loose, tighten by driving a wedge between post and rail, underneath the clip. Necessary for correct function of the clip.





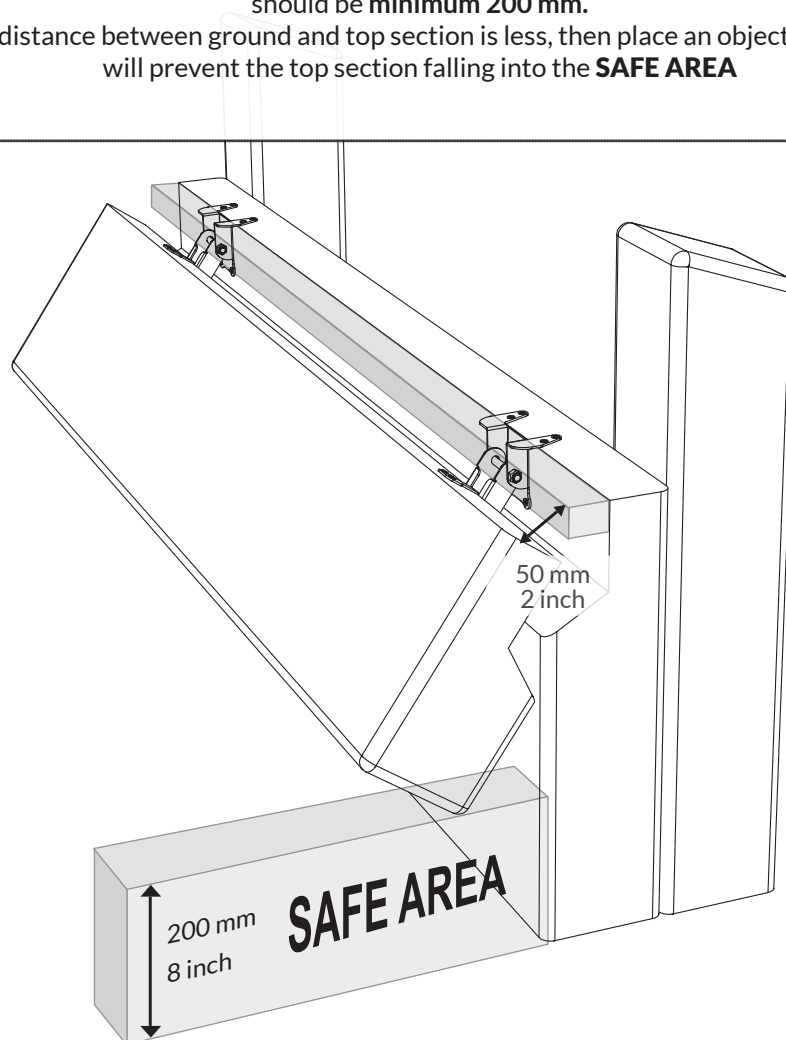
IMPORTANT

When top section is released the gap between top section and bottom section should be **maximum 50 mm**.

If gap is wider, then place object to shrink/reduce the gap.

When top section is released the distance between top section and ground should be **minimum 200 mm**.

If distance between ground and top section is less, then place an object which will prevent the top section falling into the **SAFE AREA**



The advantages of the Wall Kit

1. It has been produced with safety being the first and foremost important factor.
2. Reduces the possibility of rotational falls.
3. FEI approved number FEI01SWE.
4. Controlled movement of fence during release.
5. Reconstruction time is less than 30 seconds.
6. The parts are made of powder coated steel and can be left outside, no maintenance is required.
7. The very highest quality of product from Sweden ISO 9001.

The Mim clip (F18C) breaks on impact, which clearly indicates when replacement is needed. The top section is connected to the post with a hinge that makes the fence easy to reconstruct. This saves time, guarantees fair and correct judging for riders and contributes to the overall safety of the sport.